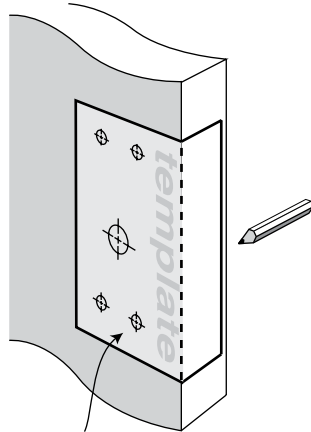


Installation Instructions for Trilock Omni BB Dummy

Twin Pull Handle Version – Suits 35mm to 45mm door thickness

Step 1

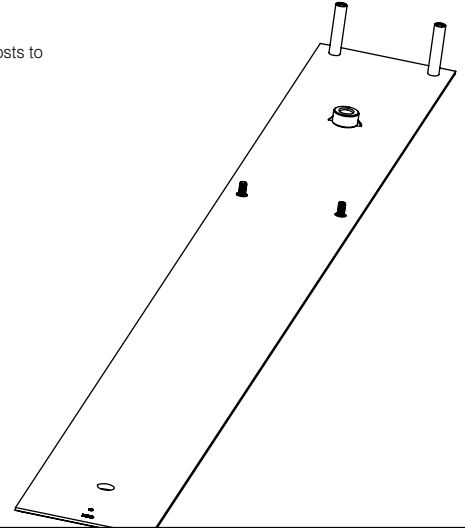
- Fold template where indicated.
 - Position template on door edge at desired height align with operating Omni on opposite door.
 - Firmly hold template and mark 4 off 10mm holes centres & 1 off 19mm hole centre.
- Note:** it is important to drill these holes squarely.
- Drill pilot holes [suggested size 3mm (1/8")].
 - Then enlarge holes as per template, drilling from both sides of the door.



Please note: Ensure the template position and orientation is as shown, incorrect installation voids warranty.

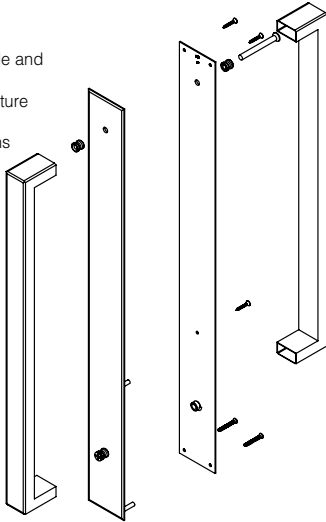
Step 2

- Install 4 off M4 threaded posts to Omni external faceplate



Step 3

- Fit 2 off mounting screws from inside and tighten into threaded posts.
- Fit 3 off wood screws to inside furniture plate.
- Install Pull handle as per instructions below.

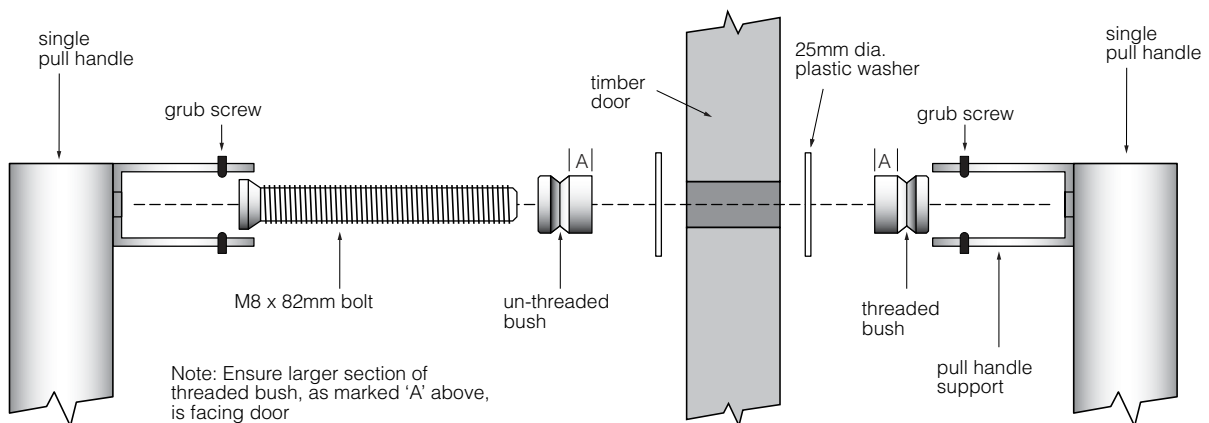


Step 4

Fixing of double pull handle

Note: Suitable for solid doors only

- Check and make sure that the inside & outside faceplates are lined up straight and square with the door.
 - Once the desired position of the inside & outside faceplate has been confirmed, mark the centre of the hole at the top of the faceplate and proceed to drill a suitable hole.
 - Note:** When drilling the hole drill hole from both sides of the door with a 9mm drill bit.
 - On the inside faceplate, hold the optional rectangular plastic washer centred over the hole against the door surface.
 - Then hold the unthreaded bush onto the outside faceplate, ensuring the larger section of the bush, as marked 'A' in illustration, is facing the door.
 - Then, from the same side, install the suitable M8 screw through the bush and optional plastic washer (if used) and through the door.
 - Then, from the outside faceplate fit the threaded bush
 - Tighten M8 screw securely with suitable screwdriver.
 - Place the pull handle over top of 2 mounting bushes.
 - Line up the pull handle so that it is lined up straight and square.
- Insert the grub screws and tighten with allen key provided



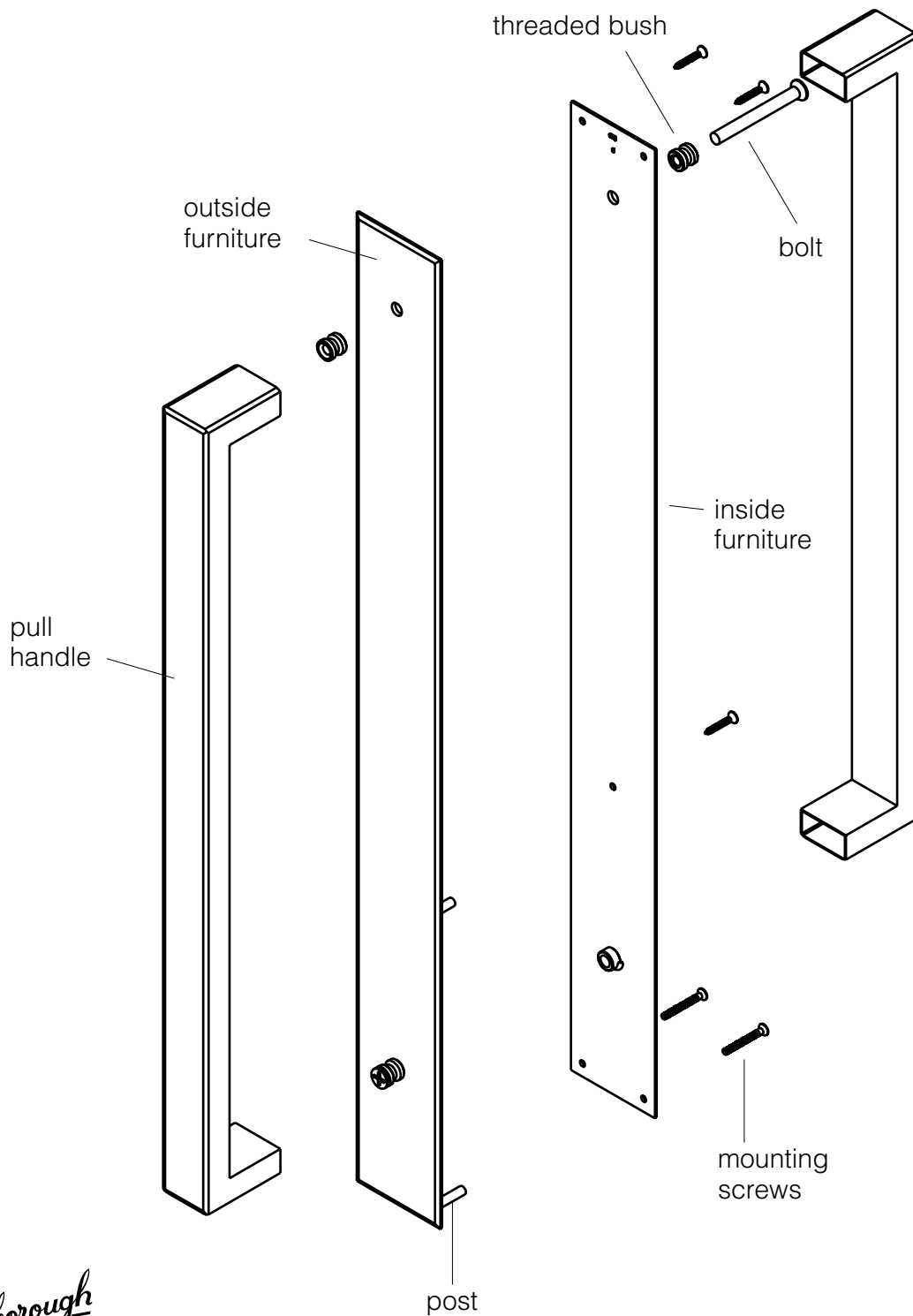
NOTE:

- carefully follow these instructions when installing.
- do not overtighten screws.
- use of power driver is not recommended.
- fully remove the Trilock prior to painting the door to avoid harming the product's finish.

Installation Instructions for Trilock Omni BB Dummy

Twin Pull Handle Version – Suits 35mm to 45mm door thickness

Exploded Diagram



Gainsborough
ENTER WITH STYLE™

3 IN 1 FUNCTION
TRILOCK™
DEADBOLT | LOCKSET | PASSAGE SET
OMNI SERIES

