

STEP 5

If the Beaks of the Interior Assembly are extended, use the Lever to retract them.

Remove the Handle Screws and lift the Interior Handle off the Interior Base, place them aside.

Place the Exterior Assembly onto the exterior face of the door stile. Rotate the protruding Spindle into a vertical position.

While placing the Interior Base onto the interior face of the door stile, note the following:

- Allow the protruding Spindle to enter the receiving slot on the underside of the Interior Base.
- Locate the bosses on the underside of the Interior Base into the top and bottom holes in the door stile.

Pass the correct length Fixing Screws through the Interior Base and screw firmly into the Exterior Assembly.

STEP 6 (OPTIONAL)

To install a Keyed Cylinder into the Interior Assembly, remove and discard the Cylinder Plug from the underside of the Interior Handle.

Install the Keyed Cylinder into the Interior Handle matching the orientation shown in Figure G.

STEP 7

Place the Interior Handle over the Interior Base. It may be necessary to rotate the Lever to find its correct orientation. Refit the two Handle Screws.

Depress the Plunger and test the lock operation by operating the Lever and Cylinder Key(s) if applicable.

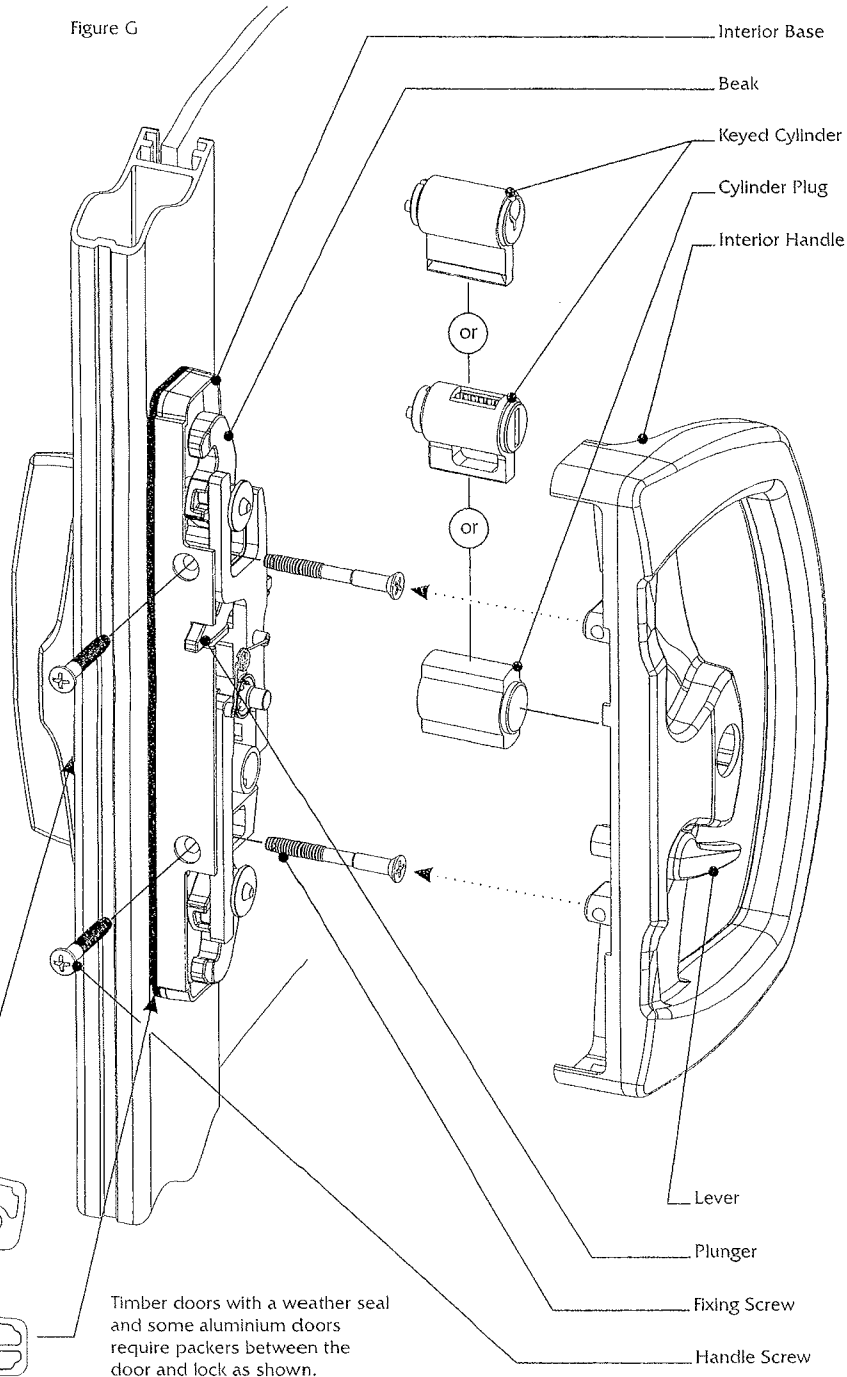
Note: Ensure the Beaks are in the retracted position before closing the door.

PACKERS

Exterior packer

Interior packer

Figure G



STEP 8

To fix the Catch Assembly to the front of the jamb, reverse the Adjustment Screws from their fully 'screwed-in' position three (3) full turns with the 3.0mm Hex Key. Reverse the Catch Plug Grub Screws with the 2.0mm Hex Key and remove the Catch Plugs using a small screwdriver.

Close the door and position the Catch Assembly on the jamb opposite the lock with a 1 to 2mm gap between the lock and Catch Assembly. Mark the centre of the 'front fix' slots and drill the jamb with a 3.5mm drill.

'Front Fix' Catch Screw (3/8")



'Face Fix' Catch Screw (1")



NOTE: If required use packers provided to align catch plate assembly with interior handle assembly.

Use the two 'Front Fix' Catch Screws provided to fit the Catch Assembly lightly to the jamb. Gently close the door and operate the Lever to test the Beak engagement. Move the Catch Assembly up and down and adjust the Catch Plate in and out to achieve the best fit.

Tighten the 'Front Fix' Catch Screws, refit the Catch Plugs and tighten the Catch Plug Grub Screws. Be careful not to over tighten these screws.

To fix the Catch Assembly to the face of the reveal, leave the Catch Plugs in place, mark through the 'face fix' slots, and use the 'Face Fix' Catch Screws instead.

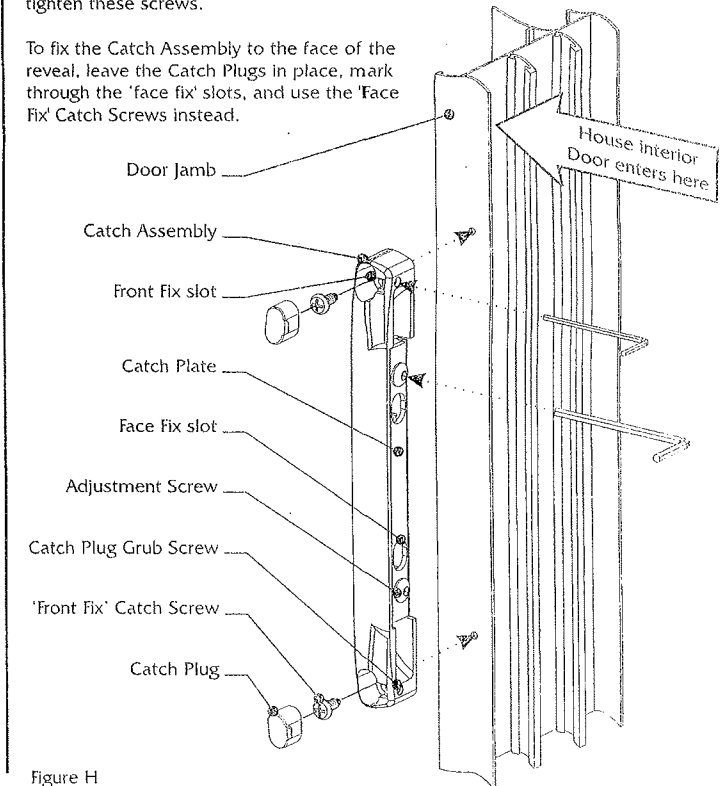


Figure H



Sliding Patio Door Deadlock Fitting Instructions

These instructions describe the steps to install a standard YR4000 lock with Cylinder Plugs installed and fasteners for general application. These instructions also apply to YR4050 Single Cylinder or 4550 Double Cylinder versions. For other YR4000 variations and non-standard applications, additional instructions may be required.

Read through all instruction steps before beginning installation. When replacing an older lock, modify the existing installation holes in the door stile and jamb if necessary.

STEP 1

For optimal installation, ensure the door is rolling smoothly and closing parallel into the jamb by lubricating and adjusting the rollers. Close the door and lightly mark the door stile at the edge of the overlapping jamb.

Prepare three 9.0mm holes in the door stile as dimensioned below in Figure A. Ensure the holes are straight and free from burr.

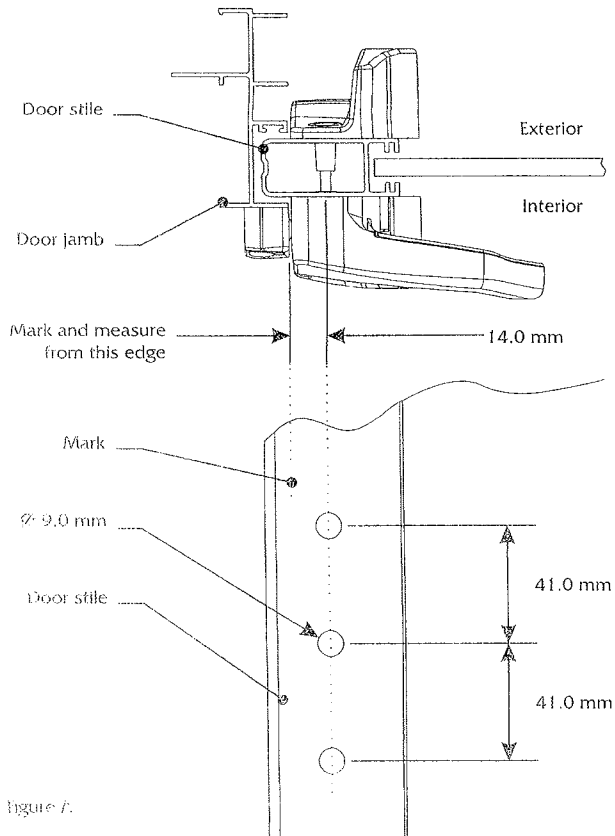


Figure A

STEP 2 (OPTIONAL)

To remove a Cylinder Plug and install a Keyed Cylinder in the Exterior Assembly, remove the Lid Screws, lift off the Lid and Cylinder Gear only and place them all aside. There is no need to remove the Spindle, leave it in place. Remove and discard the Cylinder Plug.

Install the Keyed Cylinder into the Exterior Pull by matching the orientation shown in Figures B and C.

Rotate the Spindle Gear to the position where its flat edge is parallel with the front wall of the Exterior Pull, refer to Figure C.

Replace the Cylinder Gear with its arrow pointing towards the front wall of the Exterior Pull, refer to Figure D. Replace the Lid and the Lid Screws.

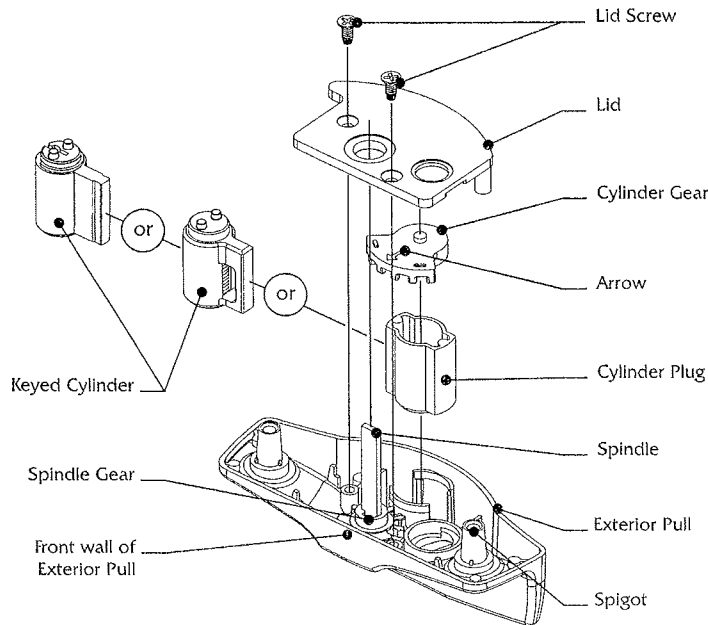


Figure B

Figure C
Installing a
Keyed Cylinder

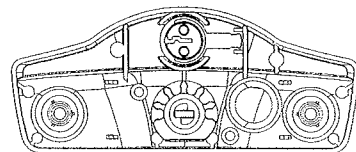
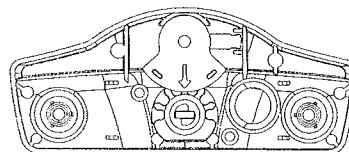


Figure D
Re-fitting the
Cylinder Gear



STEP 3

Use the table below with Figure E to decide the correct length of the Spindle. Add 8mm to thickness in table if using packers. If necessary, use pliers or a vice to carefully break off the required number of pre-notched portions of the Spindle to suit the door thickness.

Door thickness	Spindle preparation
46.0 to 41.0mm	Break off '0' portions
39.0 to 34.0mm	Break off '1' portions
34.0 to 29.0mm	Break off '2' portions
29.0 to 24.0mm	Break off '3' portions
24.0 to 21.0mm	Break off '4' portions

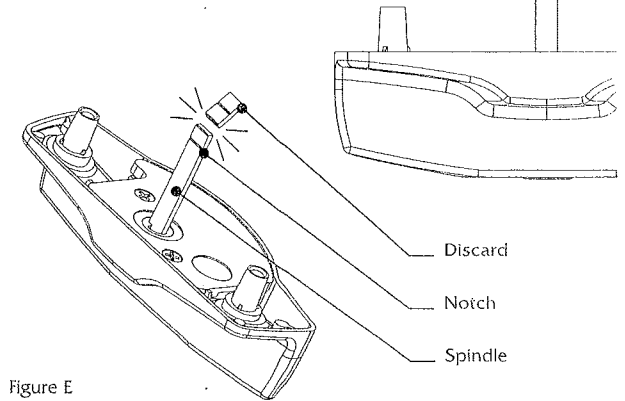


Figure E

STEP 4

Several pairs of Fixing Screws are provided to suit different door thicknesses. Use the table below to identify which are the correct length Fixing Screws. Add 8mm to thickness in table if using packers.

Door thickness	Screw selection
Greater than 39mm	2" Fixing Screw - Cut to size
39.0 to 34.0mm	1 1/2" Fixing Screw
34.0 to 28.0mm	1 1/4" Fixing Screw
28.0 to 21.0mm	1" Fixing Screw

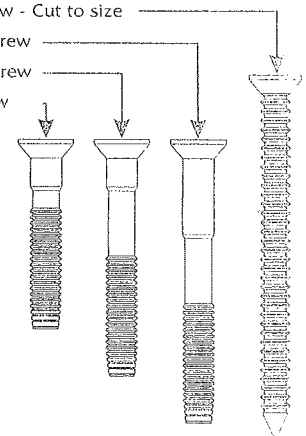


Figure F