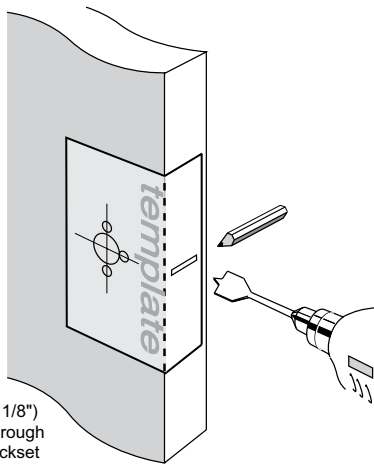


Installation instructions for 710 Series Privacy Leversets on 53mm Round Rosettes

Step 1.

- Fold template where indicated.
- Position template on door edge at desired latch height.
- Firmly hold template and mark latch height and handle fixing holes at required backset (refer template).
- Measure door thickness and mark centre.
- Drill 25mm (1") latch hole.

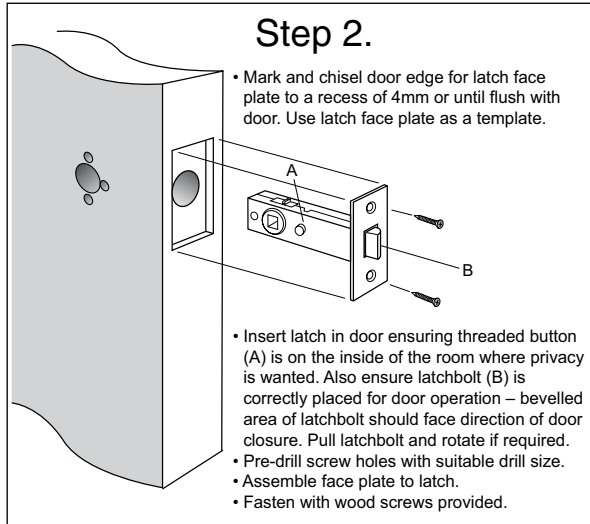
Note: it is important to drill this hole squarely.
• Drill three 8mm (5/16") holes and one 28mm (1 1/8") to 35mm (1 3/8") hole through door face at required backset as marked on template.



Step 2.

- Mark and chisel door edge for latch face plate to a recess of 4mm or until flush with door. Use latch face plate as a template.

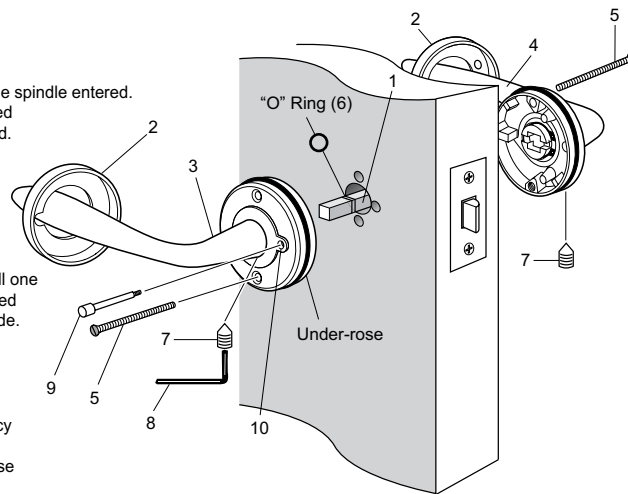
- Insert latch in door ensuring threaded button (A) is on the inside of the room where privacy is wanted. Also ensure latchbolt (B) is correctly placed for door operation – bevelled area of latchbolt should face direction of door closure. Pull latchbolt and rotate if required.
- Pre-drill screw holes with suitable drill size.
- Assemble face plate to latch.
- Fasten with wood screws provided.



Step 3.

Install lever assemblies to door

- Insert square drive spindle (1) through latch in door.
- Put "O" ring (6) onto groove in spindle other side of door to that which the spindle entered.
- Identify which side of the door each lever assembly will need to be located in order to allow both levers to move in a downward motion once installed.
- Remove rosette covers (2) from both lever assemblies.
- Place one lever assembly (3) onto the square drive spindle.
- Place other lever assembly (4) into position, locating it onto the other end of spindle.
- Fasten both lever assemblies together with screws provided (5): Use long screws for thick doors and short screws for thin doors. Each under-rose features a countersunk hole and a threaded hole. Install one screw from either side, through the countersunk hole and into the threaded hole of the opposite under-rose. Then tighten the screw head on each side.
- Tighten the grub screws (7) at base of levers on both sides with the hexagonal key (8) provided.
- Re-apply rosette covers (2) to both under-roses by pushing the covers over the rubber rings until flush with door. Ensure small notch in cover aligns with matching profile in under-rose, allowing clear access to privacy button/emergency release hole (10).
- Install the privacy button (9) through the privacy button/emergency release hole (10) on the internal side of the door and screw tight.



NOTE: Carefully follow these instructions when installing. Screws to be tightened to a recommended 2.5Nm torque.

Important Note
Only drill holes applicable to 60mm backset.
70mm backset privacy latch available separately – see your stockist.

Mark centre-line of latch hole
Mark centre-line of latch hole

FOLD HERE

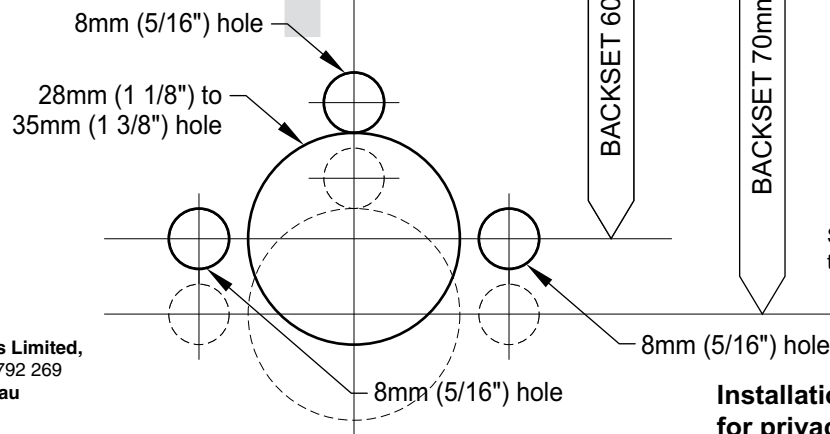
Fit here on door edge

Fit here on door edge



Gainsborough Hardware Industries Limited,
Melbourne, Australia. A.B.N. 25 004 792 269
www.gainsboroughhardware.com.au

PAIT 062
AUG 11



Suits doors 32mm (1 1/4") to 45mm (1 3/4") thick.

Installation template
for privacy applications