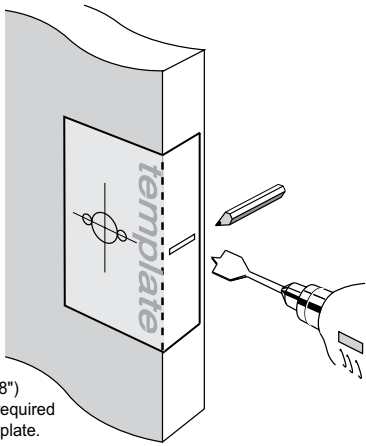


Installation instructions for 700 Series Passage Leversets on 53mm Round Rosettes

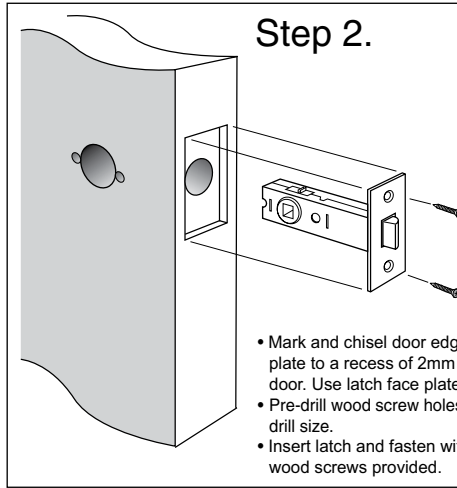
Step 1.

- Fold template where indicated.
 - Position template on door edge at desired latch height.
 - Firmly hold template and mark latch height and handle fixing holes at required backset (refer template).
 - Measure door thickness and mark centre.
 - Drill 25mm (1") latch hole.
- Note:** it is important to drill this hole squarely.
- Drill two 6mm (1/4") holes and one 35mm (1 3/8") hole through door face at required backset as marked on template.



Step 2.

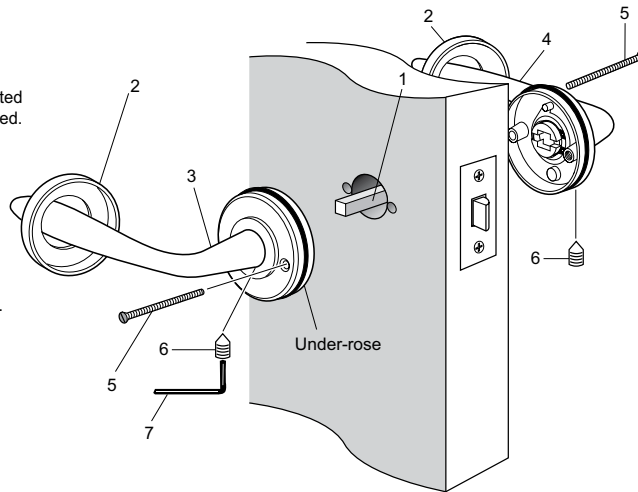
- Mark and chisel door edge for latch face plate to a recess of 2mm or until flush with door. Use latch face plate as a template.
- Pre-drill wood screw holes with suitable drill size.
- Insert latch and fasten with wood screws provided.



Step 3.

Install lever assemblies to door

- Insert square drive spindle (1) through latch in door.
- Identify which side of the door each lever assembly will need to be located in order to allow both levers to move in a downward motion once installed.
- Remove rosette covers (2) from both lever assemblies.
- Place one lever assembly (3) onto the square drive spindle.
- Place other lever assembly (4) into position, locating it onto the other end of spindle.
- Fasten both lever assemblies together with screws provided (5): Use long screws for thick doors and short screws for thin doors. Each under-rose features a countersunk hole and a threaded hole. Install one screw from either side, through the countersunk hole, through the latch and into the threaded hole of the opposite under-rose. Then tighten the screw head on each side.
- Tighten the grub screws (6) at base of levers on both sides with the hexagonal cover (7) provided.
- Re-apply rosette covers (2) to both under-roses by pushing the covers over the rubber rings until flush with door.



NOTE: Carefully follow these instructions when installing. Screws to be tightened to a recommended 2.5Nm torque.



Important Note

Only drill holes applicable to 60mm backset.
70mm backset privacy latch available separately – see your stockist.

Mark centre-line
of latch hole

Mark centre-line
of latch hole

FOLD HERE

Fit here on
door edge

Important Note

Drill 6.0mm holes before
35mm hole for ease of drilling

35mm (1 3/8") hole
(drill second)

6mm (1/4") hole
(drill first)

BACKSET 60mm (2 3/8")

BACKSET 70mm (2 3/4")

Fit here on
door edge

Gainsborough
ENTER WITH STYLE™

Gainsborough Hardware Industries Limited,
Melbourne, Australia. A.B.N. 25 004 792 269
www.gainsboroughhardware.com.au

PAIT 054
AUG '11

Suits doors 32mm (1 1/4")
to 45mm (1 3/4") thick.

6mm (1/4") hole
(drill first)

Installation template
for passage applications