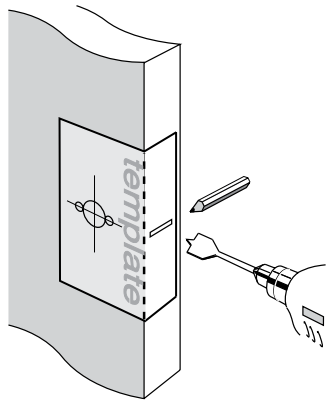


# Installation Instructions for 2900 Series Passage Leversets on 55mm Round Rosettes and 2800 Series Passage Leversets on Square Backplates

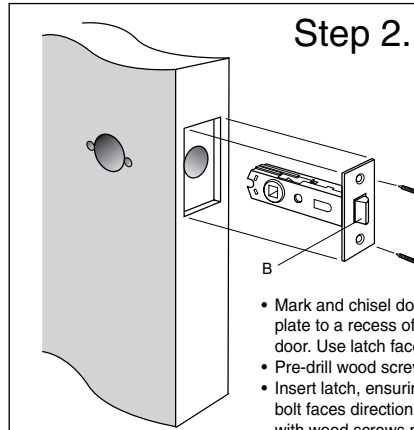
## Step 1.

- Fold template where indicated.
  - Position template on door edge at desired latch height.
  - Firmly hold template and mark latch height and handle fixing holes at required backset (refer template).
  - Measure door thickness and mark centre.
  - Drill two 8mm (5/16") holes and one 35mm (1 3/8") hole through door face at required backset as marked on template.
- Note:** 8mm holes must be drilled before the 35mm hole.
- Drill 25mm (1") latch hole.
- Note:** it is important to drill this hole squarely.



## Step 2.

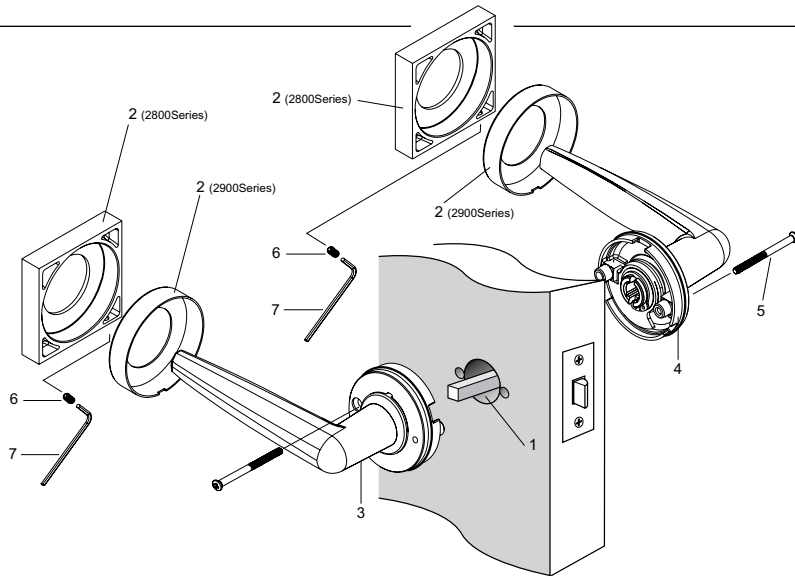
- Mark and chisel door edge for latch face plate to a recess of 2mm or until flush with door. Use latch face plate as a template.
- Pre-drill wood screw holes with suitable drill size.
- Insert latch, ensuring bevelled edge of latch bolt faces direction of door closure, and fasten with wood screws provided.



## Step 3.

### Install lever assemblies to door

- Insert square drive spindle (1) through latch in door.
- Identify which side of the door each lever assembly will need to be located in order to allow both levers to move in a downward motion once installed.
- Remove rosette covers (2) from both lever assemblies.
- Place one lever assembly (3) onto the square drive spindle.
- Place other lever assembly (4) into position, locating it onto the other end of spindle.
- Fasten both lever assemblies together with screws provided (5): Use long screws for thick doors and short screws for thin doors. Each under-rose features a countersunk hole and a threaded hole. Install one screw from either side, through the countersunk hole, through the latch and into the threaded hole of the opposite under-rose. Then tighten the screw head on each side.
- Re-apply rosette covers (2) to both under-roses by pushing the covers over the rubber rings until flush with door.
- For Square Rosette covers tighten grub-screw (6), using allen key (7), located on underneath side of rosette.



**NOTE:** Carefully follow these instructions when installing. Screws to be tightened to a recommended 2.5Nm torque.

### Important Note

Only drill holes applicable to 60mm backset.  
70mm backset privacy latch available separately – see your stockist.

Mark centre-line of latch hole

Mark centre-line of latch hole

FOLD HERE

Fit here on door edge

Fit here on door edge

8mm (5/16") hole (drill first)

35mm (1 3/8") hole (drill second)

BACKSET 60mm (2 3/8")

BACKSET 70mm (2 3/4")

### Important Note

Drill 6.0mm holes before 35mm hole for ease of drilling

Suits doors 32mm (1 1/4") to 45mm (1 3/4") thick.

Installation template for passage applications

**GAINSBOROUGH**  
designer collection

Gainsborough Hardware Industries Limited,  
Melbourne, Australia. A.B.N. 25 004 792 269  
[www.gainsboroughhardware.com.au](http://www.gainsboroughhardware.com.au)

PAIT 152  
AUG '11

