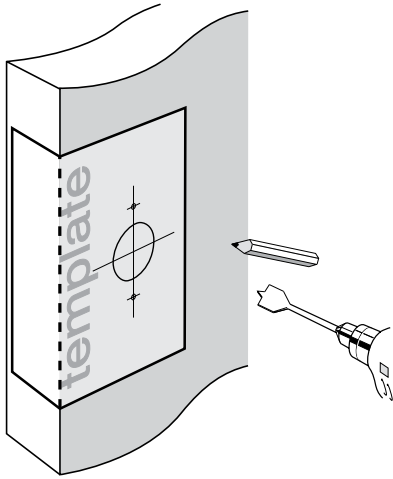


Installation Instructions for Metaline/Leverline Series Handle Sets

for dummy applications for new doors and/or doors with pre-drilled holes

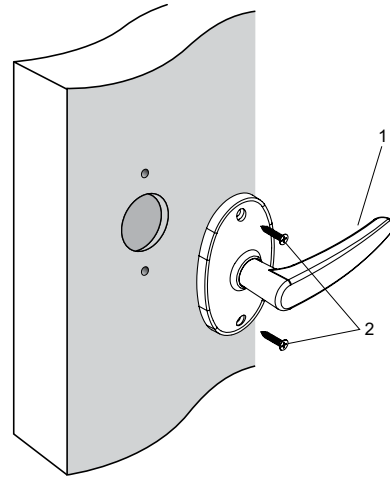
Step 1.

- Fold template where indicated.
- Position template on door edge at desired furniture height.
- Note:** Remember to select the correct side of the door before drilling.
- Firmly hold template and mark handle fixing holes at 60mm or 70mm backset (refer template).
- Drill one 20mm hole 5mm deep & two pilot holes suitable for securing supplied woodscrews, 5mm deep into door face.



Step 2.

- Install lever assembly to door**
- Place lever assembly (1) into position.
 - Fasten lever assembly to door with screws provided (2).



NOTE: Carefully follow these instructions when installing. Screws to be tightened to a recommended 2.5Nm torque.



FOLD HERE



Fit here on door edge

Fit here on door edge

BACKSET 60mm (2 3/8")

BACKSET 70mm (2 3/4")

20mm hole 5mm deep

Pilot hole 5mm deep to suit supplied woodscrews

Gainsborough
ENTER WITH STYLE™

Gainsborough Hardware Industries Limited,
Melbourne, Australia. A.B.N. 25 004 792 269
www.gainsboroughhardware.com.au

MET1DOCO1UM1