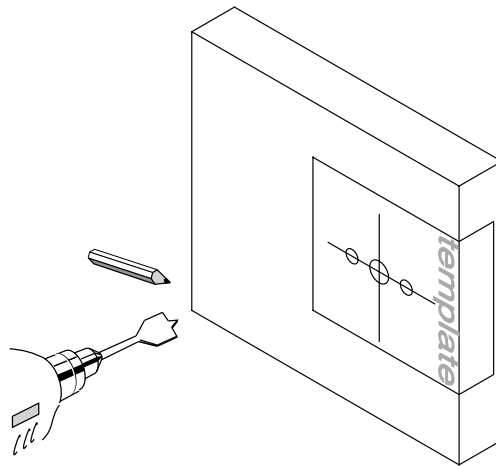


# Installation Instructions for Classic Range Dummy Knob

## Step 1.

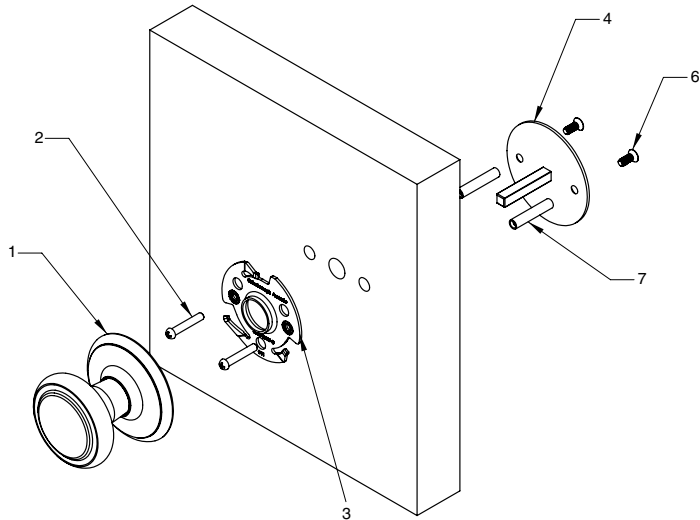
- Fold Template where indicated.
- Position template on door edge at desired height.
- Firmly hold template & mark 3 hole centres (2 off 8mm & 1 off 12mm) at required backset.
- Drill Pilot holes - suggest 3mm, then enlarge to required size from both sides of door.



## Step 2.

### Install knob assembly to door

- Fit posts (7) to dummy plate (4) with screws (6).
- Place dummy plate (4) into position, on back of door.
- Fit fixing disc (3) to front of door & secure in place with screws (2).
- Place dummy knob assembly (1) onto fixing disc (3) and secure by turning the rosette in a clockwise direction until tight.



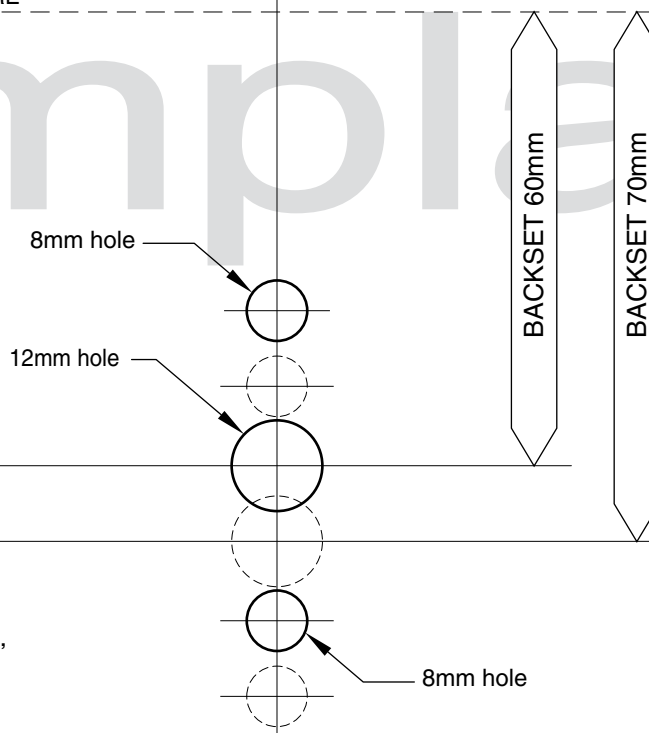
**NOTE:** Carefully follow these instructions when installing. Screws to be tightened to a recommended 2.5Nm torque.



FOLD HERE

Fit here on door edge

Fit here on door edge



**Gainsborough**  
ENTER WITH STYLE™

Gainsborough Hardware Industries Limited,  
Melbourne, Australia. A.B.N. 25 004 792 269  
[www.gainsboroughhardware.com.au](http://www.gainsboroughhardware.com.au)

CLADOC01YL1  
JUN '12

Installation template  
for dummy applications

