

Privacy Adaptor 309 Auto Releasing



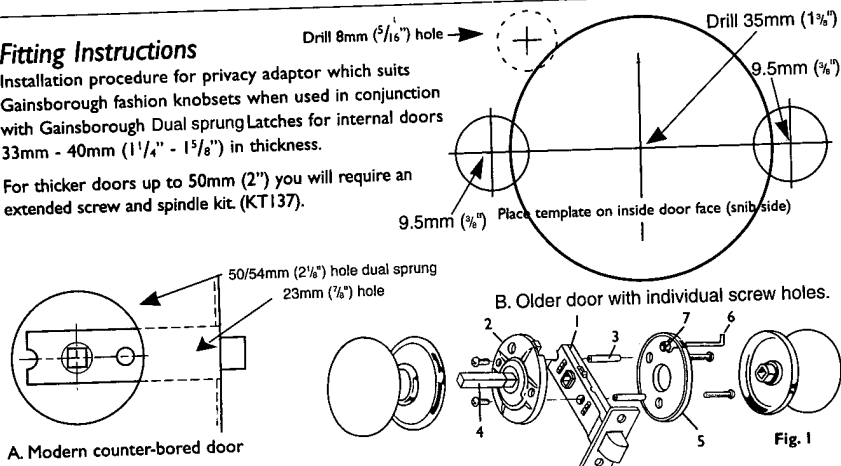
308 Privacy Adaptor - Manual Release

When installing a 308 do not remove sticker on inside assembly to ensure correct position of spindle through latch

Fitting Instructions

Installation procedure for privacy adaptor which suits Gainsborough fashion knobsets when used in conjunction with Gainsborough Dual sprung Latches for internal doors 33mm - 40mm (1 1/4" - 1 5/8") in thickness.

For thicker doors up to 50mm (2") you will require an extended screw and spindle kit. (KT137).



A. Modern counter-bored door

B. Older door with individual screw holes.

Fig. 1

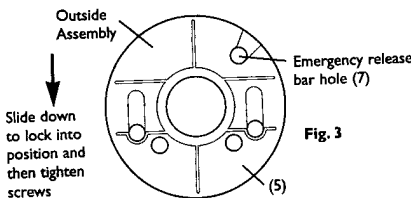
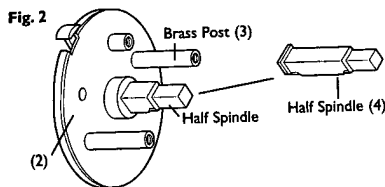
- 1. Dual Sprung latch
- 2. Inside assembly (snib side)
- 3. Brass posts (supplied with knobset)
- 4. Spindle

- 5. Outside assembly (emergency release side)
- 6. Emergency release bar
- 7. Emergency release bar hole

Note - All numbers in brackets () denote an item in figure 1.

Fitting Instructions -

1. For older doors (B) drill additional 8mm hole, shown as broken circle, from 'inside' door face (snib side), after which installation is identical for A. & B. doors.
2. Fit Gainsborough 'dual sprung latch' (1).
3. Insert two (2) short screws through 'inside assembly' (2) and firmly attach 'brass posts' (3).



4. Locate special half spindle (4) into square hole in 'inside assembly' (2) and insert 'posts' (3) and 'spindle' (4) through latch until assembly makes firm contact with door face. See fig. 2.
5. Insert long screws into 'brass posts' for a few turns.
6. Ensure that 'emergency release bar hole' (7) is facing upwards and slip the keyholes in the 'outside assembly' (5) over the protruding screw leads and slide downwards. See fig. 3.
7. View assemblies from edge of door and adjust for level. Tighten screws firmly in keyhole slot.
8. Insert 'L' shaped 'Emergency Release Bar' (6) into 'Outside Assembly Emergency Release Bar Hole' (See fig. 1).

Note - Please ensure your doorstops have adequate clearance to prevent damage to your knobset or wall.
Gainsborough Hardware Industries Limited, ACN 004 792 269, ABN 25 004 792 269, 190 Whitehorse Road, Blackburn, Victoria 3130
PATENTPTC/AU92/00609