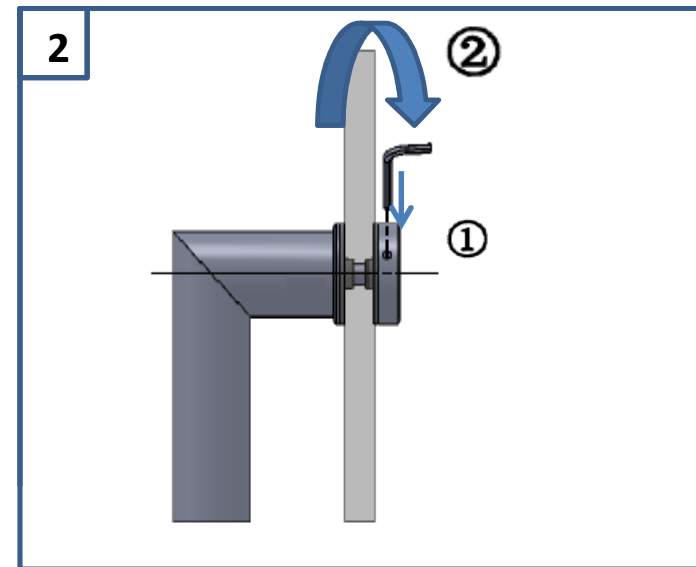
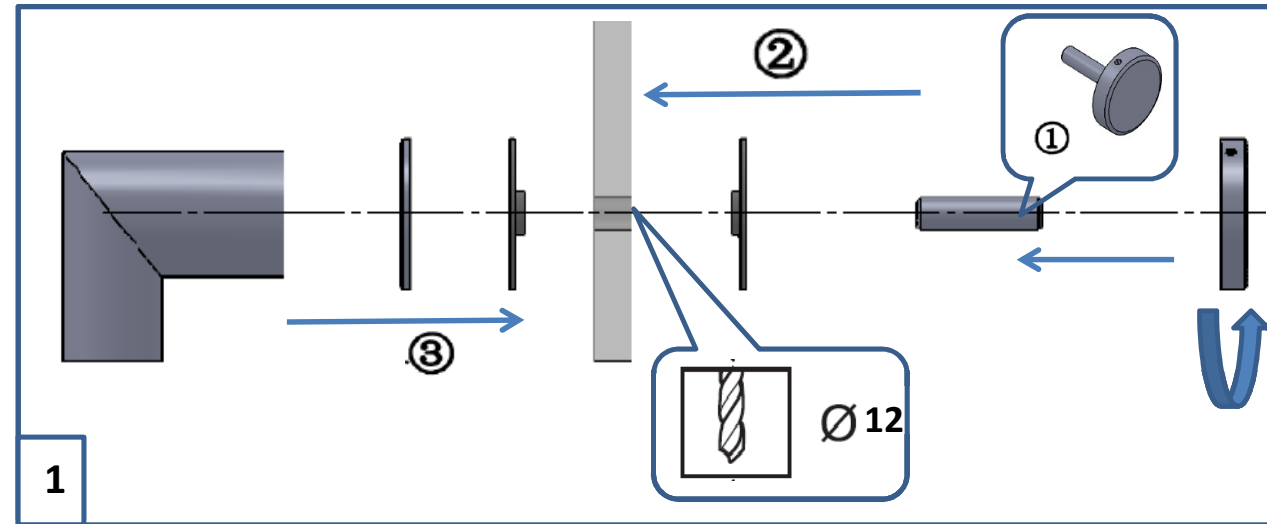
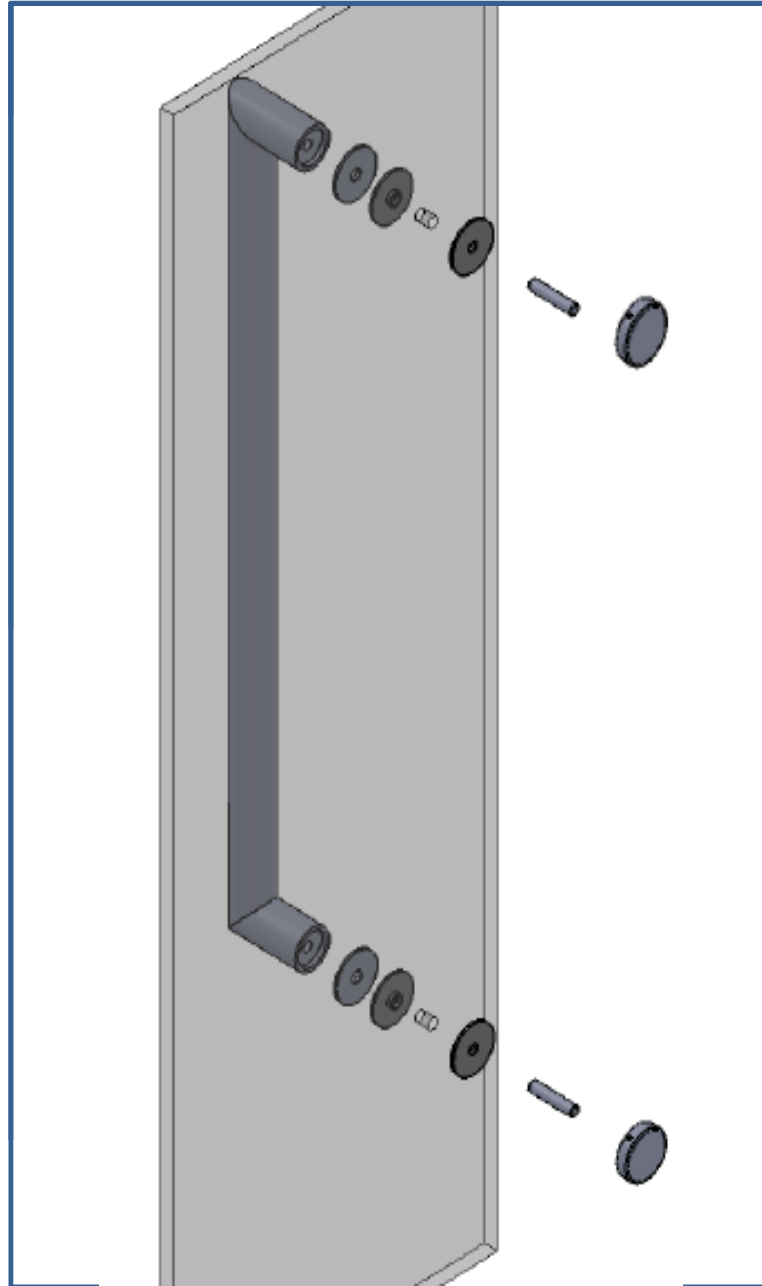


Pull Handle Installation Instruction


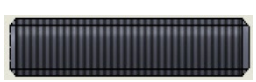

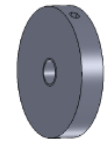
Fixing of Single Pull Handle


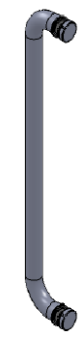
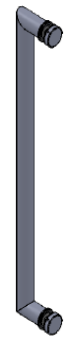

(to suit 32-60 mm thick timber doors and aluminum doors)
 (to suit 8-15 mm thick glass doors)



M8 rosette to be tighten by hand first, then use SW 3 key to tight it securely.

ECO Schulte GmbH & KG / Änderungen vorbehalten / MPH 002/PH/ Index: a

- 
 SW 3 key
- 
 Bolt
 M8 × 40 for glass doors
 M8 × 90 for timber doors
 and aluminum doors
- 
 Plastic washer
- 
 M8
 Stainless
 steel rosette

- 
 PH - D 115
- 
 PH - D 110
- 
 PH - D 310
- 
 PH - D 315