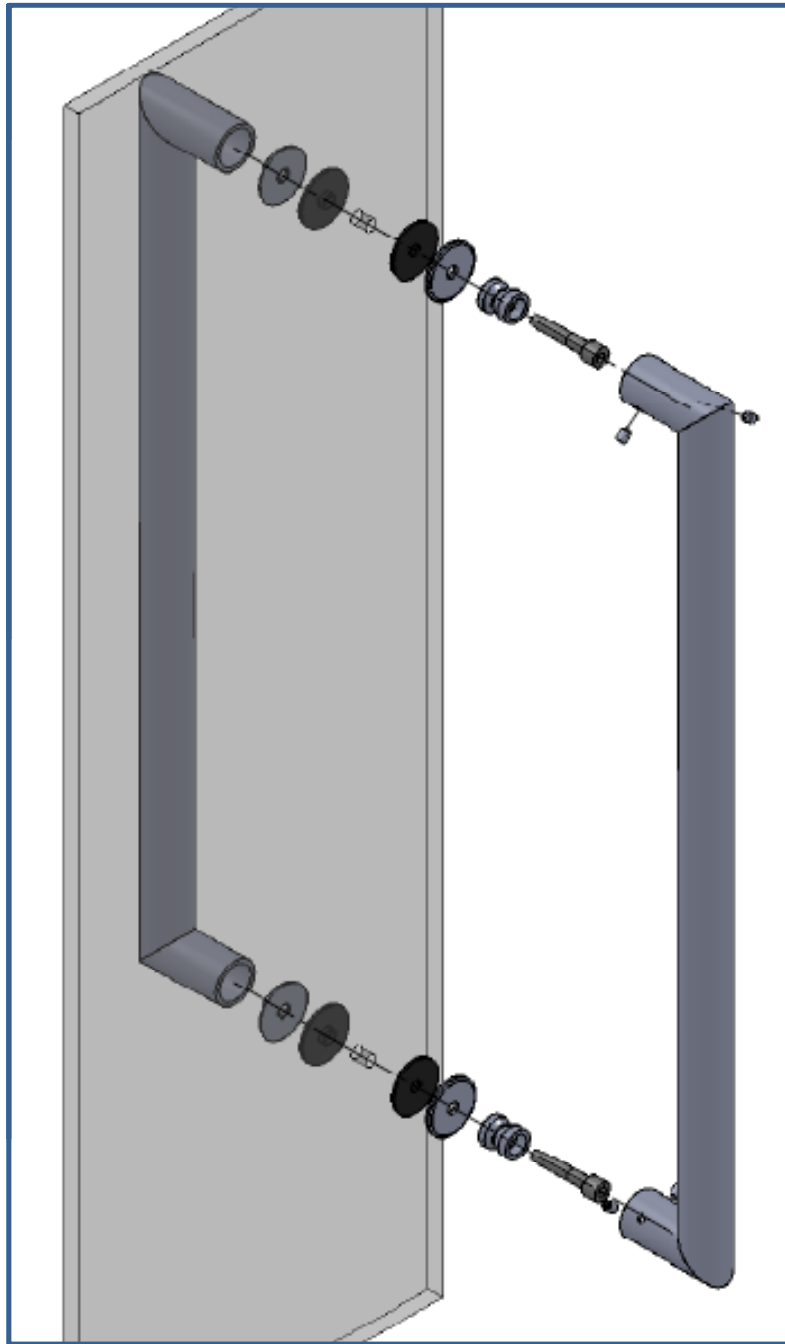


Pull Handle Installation Instruction

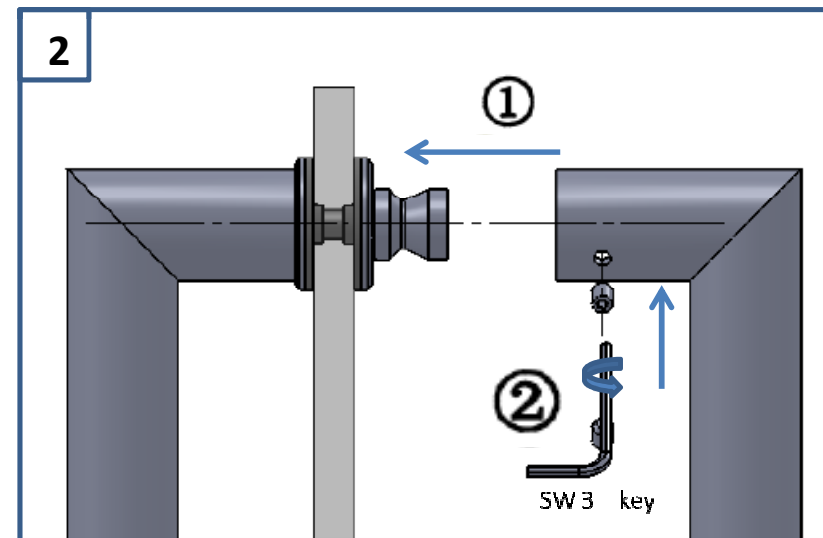
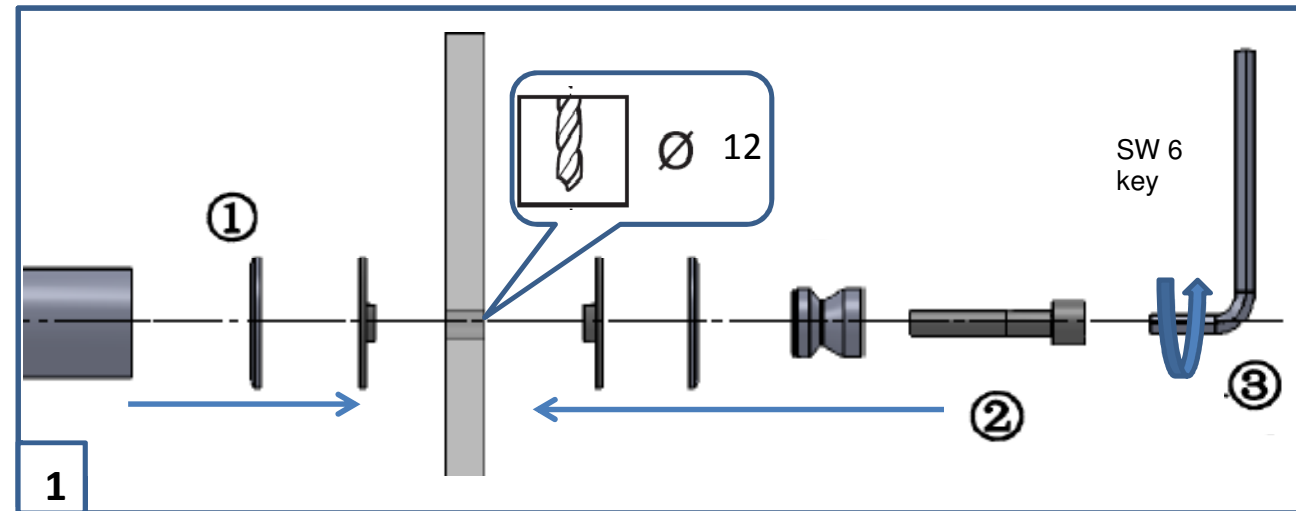
ECO Schulte GmbH & KG / Änderungen vorbehalten / MPH 001/PH/ Index: a



Back to Back Installation

(to suit maximum 32-60 mm thick timber doors and aluminum doors)

(to suit minimum 8-12 mm thick glass doors)



Place each pull handle support over each bush at both the top and bottom, then install grub screws on each side of the door and tighten with allen key provided.

