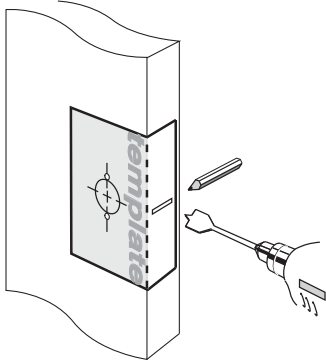


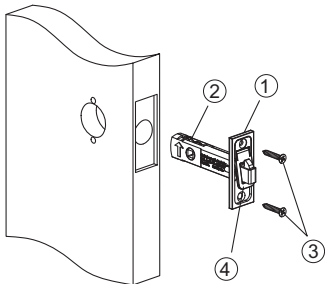
# Installation instructions for: 96SIB or 99SIB Sliding Indicator Bolt; 96SB or 99SB Sliding Bolt (without indicator) Please refer to drawing on reverse

## Step 1. Door Preparation



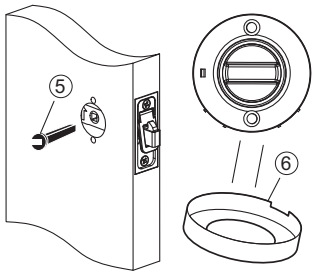
- Fold template where indicated.
- Position template on door edge at desired latch height.
- Firmly hold template and mark latch height and escutcheon fixing holes at required backset (refer template).
- Measure door thickness and mark centre.
- Drill 25mm (1") latch hole.  
NOTE: it is important to drill this hole squarely.
- Drill two 10mm (3/8") holes first and one 35mm (1 3/8") hole on door face with backset as marked on template.

## Step 2. Latch Installation



- Mark and chisel latch faceplate (1) to a recess of 4mm. Use latch faceplate as a template.
- Insert latch (2) into door with hook pointing upwards.
- Fasten with two screws (3) provided. If pull tab (4) doesn't move freely unscrew the latch and clear wood from behind the pull tab hinge.
- Refasten and check pull tab is free.

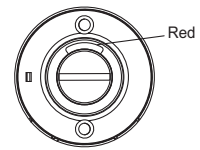
## Step 3. Installation of Assemblies



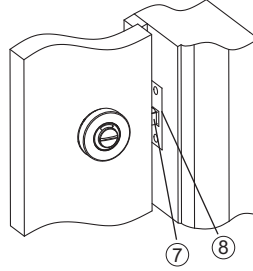
- Insert black adaptor (5) into drive hub of latch with the slot horizontal as shown.
- Identify which side of the door thumbturn assembly (10) and emergency assembly (11) will need to be located.
- Remove rosette covers (6) from both assemblies.
- Assemble blind screws (12) and brass posts (13) to the emergency assembly (11) as shown overleaf.
- Put the emergency assembly (11) into position on the door face with the coin slot horizontal (14) and the window showing red. Ensure window is at top.
- With the thumbturn (15) horizontal (as shown overleaf) assemble the tail piece (16) into the black adaptor (5) and put the thumbturn assembly (10) on the door face with mounting screw holes at top and bottom.
- Fasten the thumbturn assembly (10) to the emergency assembly (11) with screws (17) provided.
- Make sure that thumbturn, emergency slot and latch all work together.
- Re-apply rosette covers (6) to both assemblies by pushing the covers over the rubber rings until flush with door. (Ensure tabs at bottom of assemblies match cut out in rosette covers)

### IMPORTANT NOTE

When installing the 96SIB or 99SIB, the thumbturn should be in the horizontal position as pictured to ensure indicator is green when door is open and red when closed.



## Step 4. Door Jamb Preparation

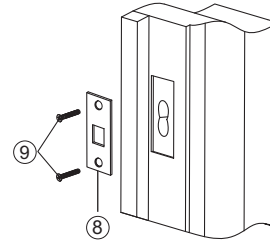


### IMPORTANT NOTE

For correct installation, ensure that the Gainsborough encription is at top of strike

- Place the strike plate (8) on end of extended latch (7) and close door so the strike plate touches the jamb.
- Keeping the strike plate aperture evenly spaced around the latch, use the strike plate as a template to mark a cutout on the jamb.
- Chisel the strike plate recess to a depth of 1.6mm.

## Step 5. Strike Plate Installation

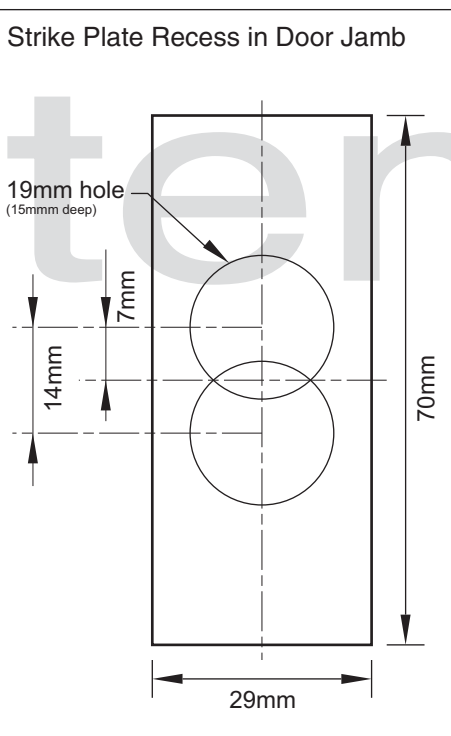


- Using the template provided, drill two 19mm (3/4") diameter holes 15mm (5/8") deep to recess the latchbolt.
- Fit and fasten the strike plate (8) with screws provided. (9)

### IMPORTANT NOTE

- Do not operate latch before installation. The latch should be left extended with the pull tab in place until fitted in door. (Please see reverse).
- Maximum door gap - 2.0mm. This is the biggest door gap the latch will secure. Please ensure gap is no bigger by adjusting door prior to fitting latch.

NOTE: Carefully follow these instructions when installing. Screws to be tightened to a recommended 2.5Nm torque.



FOLD HERE

Mark centre-line of latch hole

Mark centre-line of latch hole

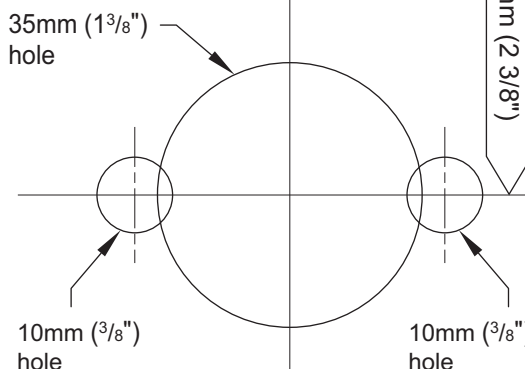
Installation template for Gainsborough 96SIB or 99SIB series; 96SB or 99SB series

BACKSET 60mm (2 3/8")

Fit here on door edge

### Note:

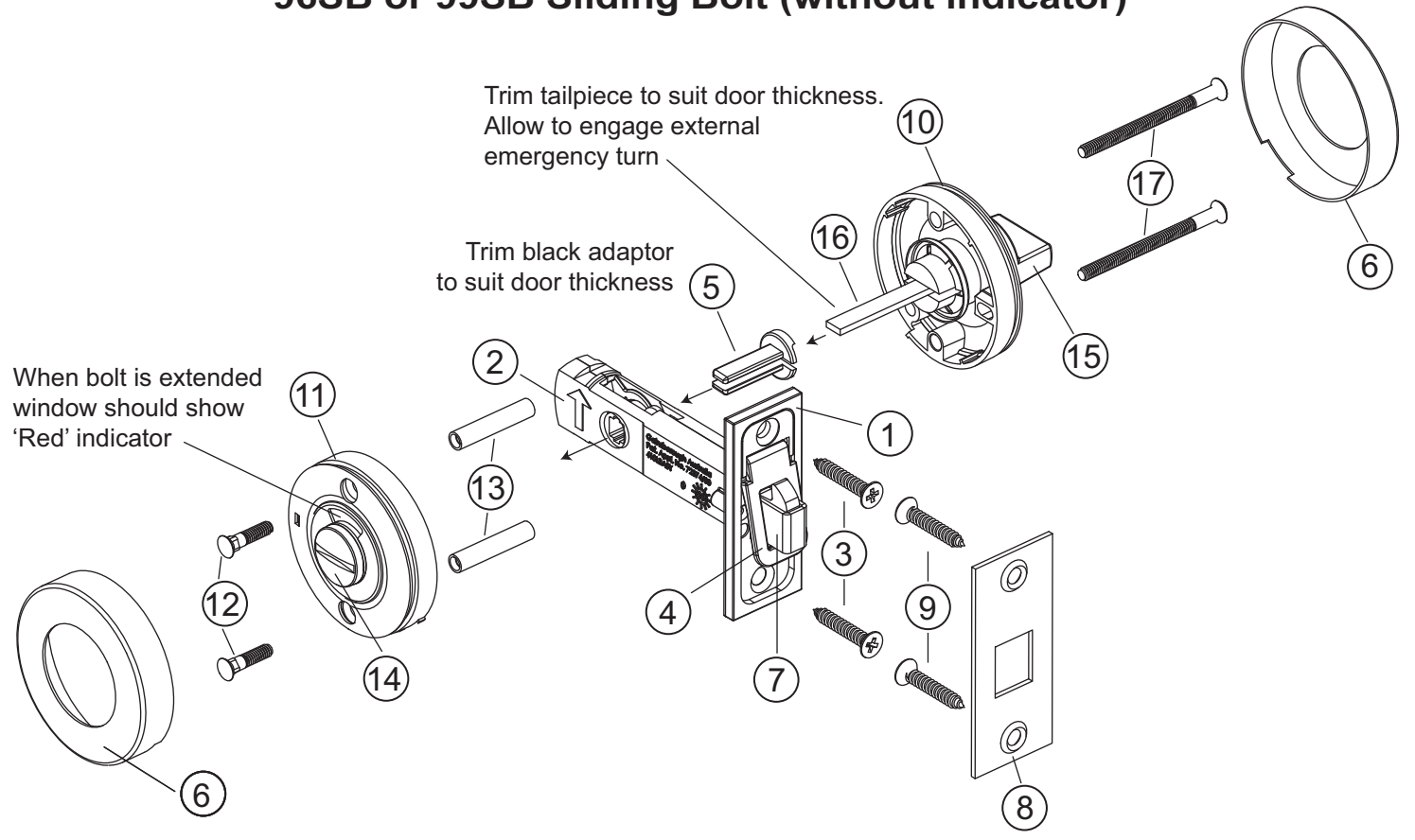
Drill 10mm holes before 25mm hole for ease of drilling.



*Gainsborough*

Gainsborough Hardware Industries Limited,  
Melbourne, Australia. A.B.N. 25 004 792 269  
[www.gainsboroughhardware.com.au](http://www.gainsboroughhardware.com.au)

# Installation instructions for: 96SIB or 99SIB Sliding Indicator Bolt; 96SB or 99SB Sliding Bolt (without indicator)



*Gainsborough*<sup>®</sup>  
fine quality door hardware