

9248PHBB750SS Installation Instructions

How to install:

Back to Back Installation – for solid timber doors

To suit 35mm-50mm thick timber doors. Recommend 60mm backset.

Steps:

- 1 At desired position on the door, mark top and bottom fixing hole locations to the same distance as the centre to centre point distance of the pull handle supports that affix to door
- 2 Drill 10.0mm hole at top and bottom points to accommodate fixing bolts.
- 3 From inside face of door, insert one washer onto each M8 bolt & insert M8 bolt (X 2) through the door. (See Figure 1).
- 4 Fit external Pull Handle (M8 Thread inside Stand-Offs) into position & begin tighten M8 bolts.
- 5 Once bolts are tight, fit internal Pull Handle (Grub Screws in Stand offs) into position & install & tighten Grub screws with Allen Key provided. (See Figure 2).

Before tightening Grub Screws ensure that grub Screws will locate into taper section of Bolt Head to ensure Handle will remain fitted securely. (See Figure 3)

Note: This product is not suitable for glass doors

Figure 1

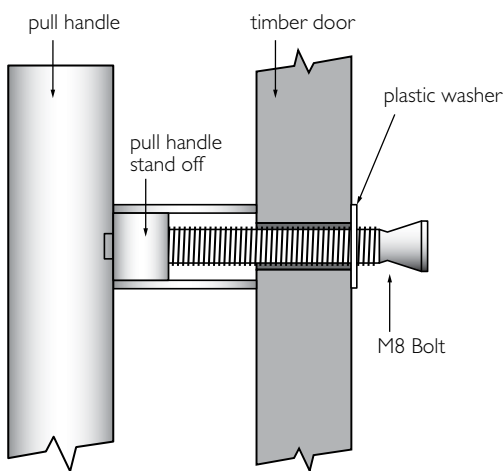


Figure 2

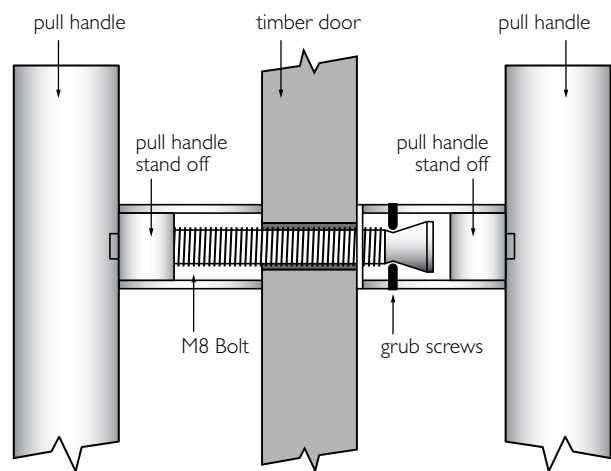


Figure 3

