

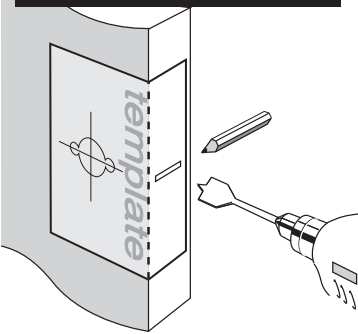
# Installation Instructions for 9200 & 9400 Series Stainless Steel Leversets

(Purchase 480 or 960/980 latch).

## Step 1.

- Fold template where indicated.
- Position template on door edge at desired latch height.
- Firmly hold template and mark latch height on door edge and handle fixing holes on door face at required backset (refer template).
- Measure door thickness and mark centre.
- Drill 25mm (1") latch hole through door edge.
- Note:** it is important to drill this hole squarely.
- Drill two 7.5mm (19/64") dia. holes and one 35mm (1 3/8") dia. hole through door face at required backset as marked on template.

**Important Note**  
For mortice lock installation please refer to separate mortice lock installation sheet.

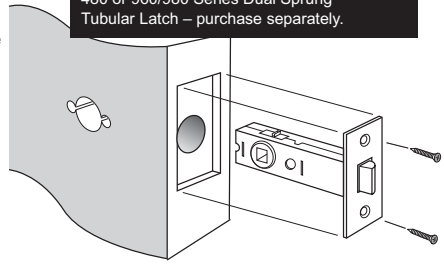


**Important Note** If installing a 9609 or a 9909 Privacy Adaptor with lever, refer to instructions included with Privacy Adaptor before commencing installation as this requires a 50mm diameter hole.

## Step 2.

- Mark and chisel door edge for latch faceplate to a recess of 4.5mm or until flush with the door edge. Use latch faceplate as a template.
- Insert latch and fasten with wood screws provided.

**Note:** Use in conjunction with Gainsborough 480 or 960/980 Series Dual Sprung Tubular Latch – purchase separately.



## Step 3.

### Install lever assemblies to door: 9200 & 9400 Series Stainless Steel Leversets

- Insert square drive spindle (1) through latch in door.
- Identify which side of the door each lever assembly will need to be located to allow both levers to move in a downward motion once installed.
- Remove rosette covers (2) from both lever assemblies.
- Fit Short Screws (5) (Anti Tamper) to **External** handle set (3).
- Fit Posts (6) to interior of **External** handle set (3).
- Fit **Internal** handle set (4) to **External** handle set (3) using metal thread screws (7).

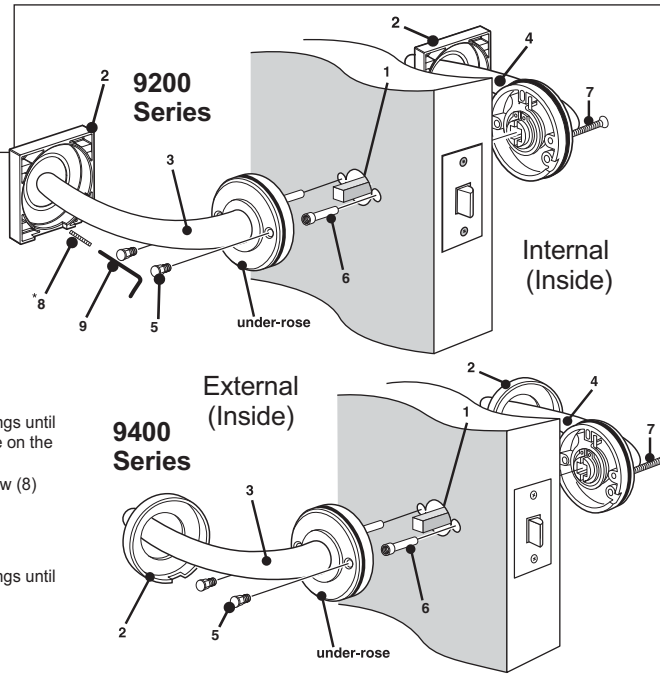
### 9200

- Reapply rosette covers (2) to both under-roses by pushing the covers over the rubber rings until flush with door. The \*grub-screw, which is already located in the rosette cover, should be on the lower face.
- Check the rosette covers are square with the door edge. Fasten in place with \*grub-screw (8) using allen key (9) provided.

\*Note: Grub-screw is already located in the rosette cover.

### 9400

- Reapply rosette covers (2) to both under-roses by pushing the covers over the rubber rings until flush with door. (Ensure tabs at bottom of under-rose match cut-out in rosette covers).



**NOTE:** Carefully follow these instructions when installing. Screws to be tightened to a recommended 2.5Nm torque.



Mark centre-line of latch hole  
Mark centre-line of latch hole

### Important Note

Do not drill 35mm hole if using privacy adaptor with this leverset. A privacy adaptor requires a 50mm diameter hole. See privacy adaptor installation instruction and template before commencing any drilling.

FOLD HERE

Fit here on door edge

Fit here on door edge

7.5mm (19/64") hole (drill first)  
35mm (1 3/8") hole (drill second)

BACKSET 60mm (2 3/8")

BACKSET 70mm (2 3/4")

**Important Note**  
Drill 7.5mm holes before 35mm hole for ease of drilling



Gainsborough Hardware Industries Limited,  
Melbourne, Australia. A.B.N. 25 004 792 269  
[www.gainsboroughhardware.com.au](http://www.gainsboroughhardware.com.au)

Separate Privacy Adaptors available:  
• 9609 Privacy Adaptor suits 9400 Stainless Steel series.  
• 9909 Privacy Adaptor suits 9200 Stainless Steel series.

Installation template for passage applications