

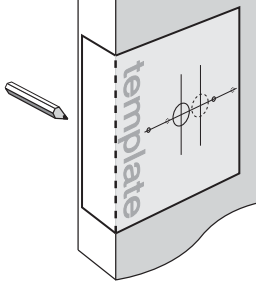
Installation Instructions for Majestic Dummy Lever

for dummy applications for new doors and/or doors with pre-drilled holes

Step 1.

- Place template on the side of the door to which the handle is to be fitted, with height centre line approximately 97cm from the floor.
- Determine backset length and mark holes as shown for either a 60mm (2 3/8") backset or optional 70mm (2 3/4") backset.
 - the holes to be marked are the centre 10mm diameter hole and the two 2mm diameter pilot holes on either side of the centre hole.

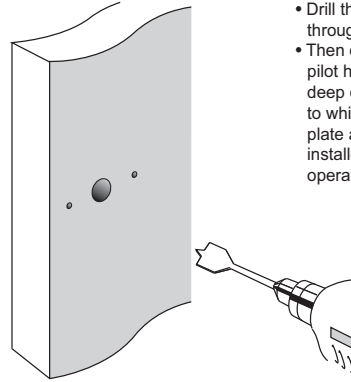
Important Note:
Check you have correct handed lever before beginning by ensuring the lever is pointing in the correct direction away from the door edge whilst the tip of the lever also curves downwards (refer illustration in Step 3). If alternative handed lever is required, please see your supplier.



Note: The backset measurement is provided here to enable you to match the backset measurements used on other exterior or interior doors throughout the home or building. No latch is supplied nor required with this product.

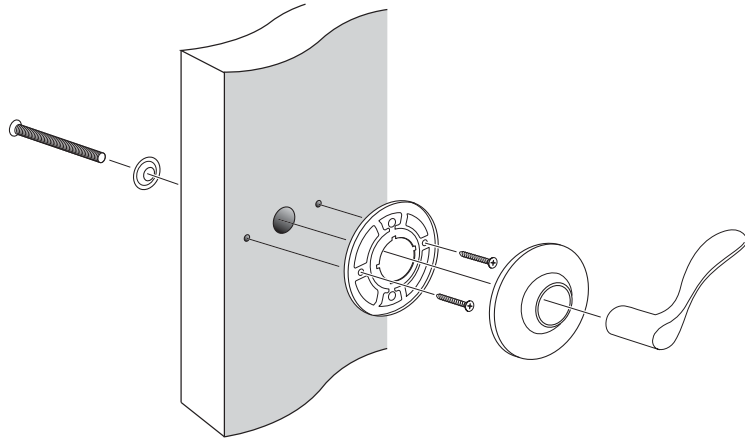
Step 2.

- Drill the 10mm diameter hole through the door face.
- Then drill two only 2mm diameter pilot holes approximately 5mm deep only on the side of the door to which the lever, rose fixing plate and rose cover are to be installed to accommodate pull operation of the door.



Step 3.

- Install rose fixing plate by installing 2 only wood screws (supplied) through plate and into the two pilot holes on the door.
 - Note:** Ensure rose fixing plate is correctly positioned centrally so that the surface with the rounded or radius perimeter edge is placed against the door, and the raw edge rim is facing away from door.
- Apply rose cover over rose fixing plate and snap into place.
- Place the lever into position, ensuring it is correctly oriented into the rose, i.e lever should be horizontal and pointing away from door edge (refer adjacent illustration).
- Insert the neck of the lever through the centre of rose cover and rose fixing plate, ensuring the four metal tabs on the neck fit neatly into the four corresponding notch locations in the rose fixing plate.
- Fix lever by installing the metal threaded screw with washer from the opposite side of the door, through the centre 10mm diameter hole in the door, and into the threaded hole in the underside of the lever. Screw tight.
- Check pull operation is correct.

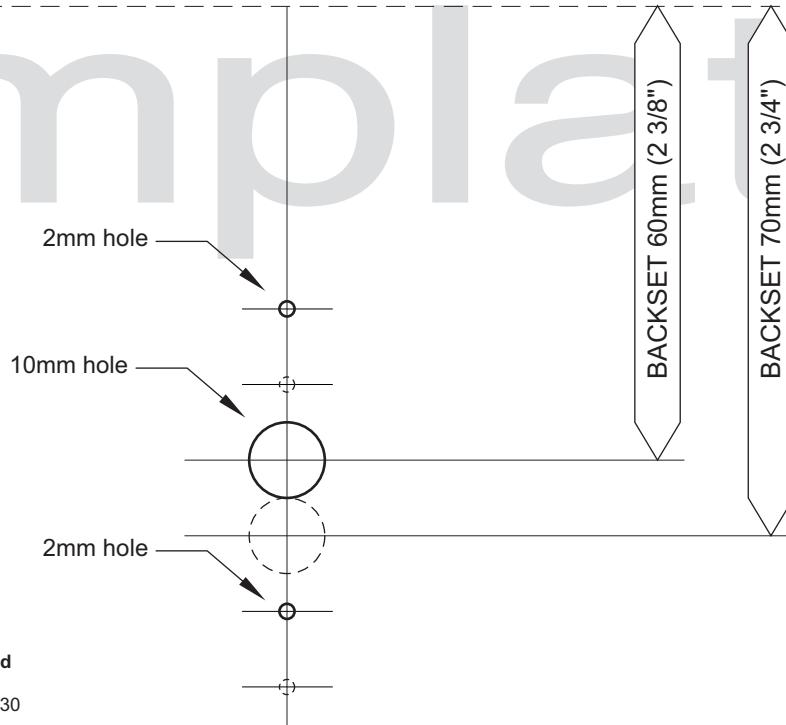


NOTE: Carefully follow these instructions when installing. Screws to be tightened to a recommended 2.5Nm torque.



FOLD HERE

Fit here on door edge



Gainsborough Hardware Industries Limited
 ABN 25 004 792 269
 190 Whitehorse Road, Blackburn, Victoria 3130
www.gainsboroughhardware.com.au