

How to install:

Back to Back Installation

– for glass doors

(to suit minimum 12mm thick glass doors) **Note: 2 pull handles required**

Steps:

1 Please arrange for your glass door to be supplied with the required fixing holes, correctly spaced to match the centre to centre point distance of your pull handle purchased.

2 Fixing components are supplied to suit minimum 12mm thick glass doors.

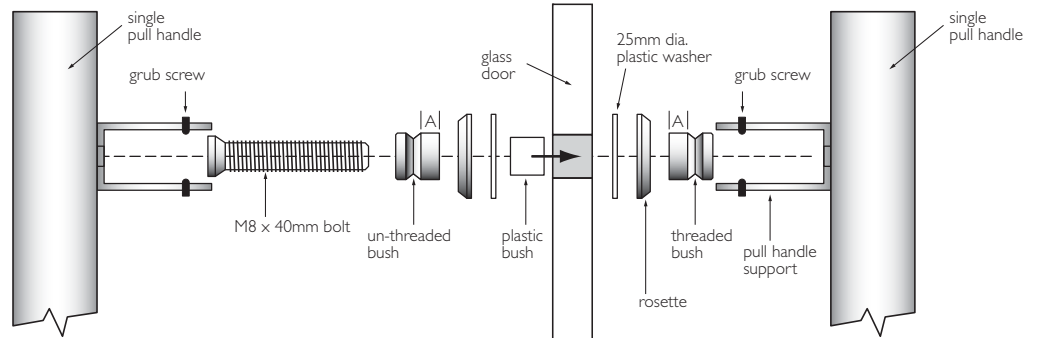
Steps 3 & 4 should be followed for each fixing hole (top and bottom):

3 Install plastic bush inside each fixing hole in glass door.

4 On one side of the door: Hold the optional plastic washer* (25mm diameter for tubular pull handle versions with tubular supports or rectangular for Oblong pull handle version) centred over the hole against the door surface. Hold optional stainless steel rosette* (only applicable to tubular pull handle versions with tubular supports) against the washer and then hold the un-threaded bush onto the stainless steel rosette, ensuring the larger section of the bush, as marked 'A' in illustration, is facing the door. From the same side, insert the M8 x 40mm bolt with small head through bush and door to extend on the other side.

On the other side of the door: Place the optional 25mm diameter plastic washer* (25mm diameter for tubular pull handle versions with tubular supports or rectangular for Oblong pull handle version) over the extended bolt and move up against the door face. Place optional stainless steel rosette* (only applicable to tubular pull handle versions with tubular supports) over extended bolt, against the washer; then screw on the threaded bush, ensuring the larger section of the bush, as marked 'A' in illustration, is facing the door. Screw on until all components are firmly held to the door. Tighten the bolt securely with screwdriver.

5 On each side of the door: Place each pull handle support over each bush at top and bottom, install grub screws and tighten with allen key provided.



Note: Ensure larger section of threaded bush, as marked 'A' above, is facing door

*Specific plastic washer varieties and stainless steel rosettes, where referred to above, are OPTIONAL for installation and are only included with the applicable pull handle version.

9200 Series Pull Handles



9248PH600SS
Horizon Pull Handle

450mm*
centre to centre



9281PHL600SS
Styled Pull Handle
Left-handed

450mm*
centre to centre



9281PHR600SS
Styled Pull Handle
Right-handed

450mm*
centre to centre



9282PH600SS
Curved Pull Handle

300mm*
centre to centre



9266PH600SS
Oblong Pull Handle

580mm*
centre to centre

***Note: Centre to centre measurements above are indicative ONLY.**

Please check the centre to centre measurement on pull handle purchased to ensure accurate installation.



Gainsborough Hardware Industries Limited

A.B.N. 25 004 792 269

www.gainsboroughhardware.com.au

600mm Pull Handle Installation Instructions

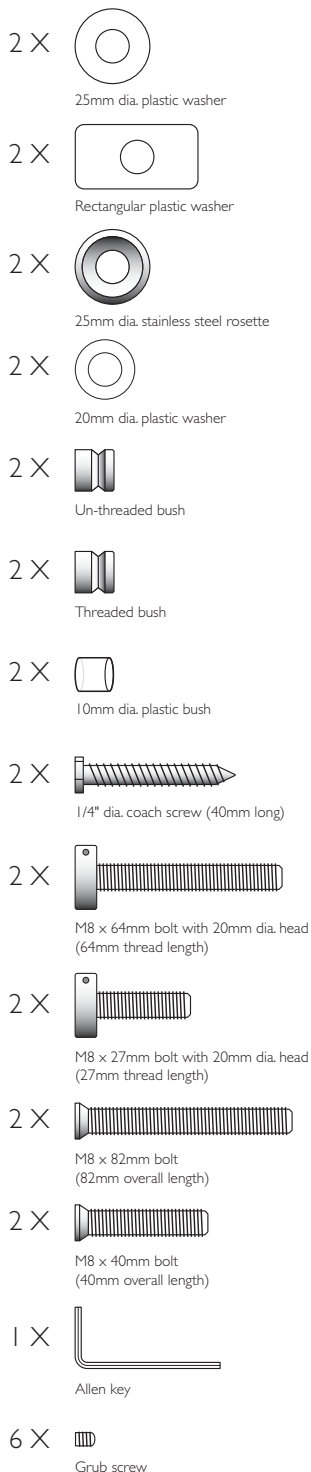
Congratulations on your purchase of this 9200 series 600mm Gainsborough Architectural Pull Handle.

Applications:

This pull handle pack includes one pull handle together with screw pack. The screw pack includes components for the following fixing methods:

- Concealed fixing of single pull handle – for solid timber doors.
- Visible fixing of single pull handle – for solid timber or glass doors.
- Back to back fixing* – for solid timber or glass doors.

*Note: 2 pull handles are required for back to back fixing (for handed pull handles, please purchase 1 left-handed and 1 right-handed pull handle).



Contents of Screw Pack:

(Note: Certain screw pack contents are only relevant to specific pull handle designs and are therefore only included in the relevant pull handle screw packs – please refer to details below.)

Qty Description

- 2 **25mm diameter plastic washers for tubular pull handles with tubular supports ONLY** – i.e. included in 9248PH600SS, 9281PHL600SS, 9281PHR600SS and 9282PH600SS tubular pull handle screw packs ONLY. (Not included in 9266PH600SS Oblong pull handle screw packs.)
- 2 **Rectangular plastic washers for 9266PH600SS Oblong pull handle ONLY** – i.e. included in 9266PH600SS Oblong pull handle screw pack ONLY. (Not included in 9248PH600SS, 9281PHL600SS, 9281PHR600SS or 9282PH600SS tubular pull handle screw packs.)
- 2 **25mm diameter stainless steel rosettes for tubular pull handles with tubular supports ONLY** – i.e. included in 9248PH600SS, 9281PHL600SS, 9281PHR600SS and 9282PH600SS tubular pull handle screw packs ONLY. (Not included in 9266PH600SS Oblong pull handle screw packs.)
- 2 **20mm diameter plastic washers** to suit stainless steel M8 x 62mm or M8 x 25mm bolts with 20mm diameter head.
- 2 **Stainless steel un-threaded bushes.**
- 2 **Stainless steel threaded bushes.**
- 2 **10mm diameter plastic bushes** for inside of glass doors.
- 2 **Steel 1/4" diameter coach screws** (40mm long) for single handle, concealed fixing – to suit 35mm-50mm thick timber doors.
- 2 **Stainless steel M8 x 64mm bolts** with 20mm diameter head for single handle, visible fix installation – to suit 35mm-50mm thick timber doors.
- 2 **Stainless steel M8 x 27mm bolts** with 20mm diameter head for single handle, visible fix installation – to suit minimum 12mm thick glass doors.
- 2 **Stainless steel M8 x 82mm bolts** with small head for back to back fixing – to suit 35mm-50mm thick timber doors.
- 2 **Stainless steel M8 x 40mm bolts** with small head for back to back fixing – to suit minimum 12mm thick glass doors.
- 1 **Allen key** to secure grub screws.
- 6 **Grub screws** for pull handle supports (includes 2 spare grub screws).

IMPORTANT NOTES

Types of Pull Handle Designs:

The following pull handle designs are referred to within these instructions:

1. Tubular pull handles with tubular supports.

This term describes pull handles with both tubular shaped pull handle and tubular shaped supports, and refers to the following products: 9248PH600SS Horizon; 9281PHL600SS Styled LH; 9281PHR600SS Styled RH; and 9282PH600SS Curved.

2. Oblong pull handle.

Refers to the rectangular shaped pull handle with part number 9266PH600SS.

Plastic Washers:

Round (25mm diameter) or rectangular shaped plastic washers are designed to protect the door surface and are OPTIONAL for installation with the relevant pull handle.

The plastic washer variety included in this pack will be dependent on the pull handle design purchased:

- Round (25mm diameter) plastic washers are only included with tubular pull handles with tubular supports.
- Rectangular plastic washers are only included with the Oblong pull handle.

Note: 20mm diameter plastic washers for bolts are included in all versions.

Stainless Steel Rosettes:

25mm diameter stainless steel rosettes are designed to provide a decorative surround and are OPTIONAL for installation with tubular pull handles with tubular supports ONLY.

Note: Stainless steel rosettes are not applicable, nor included with the 9266PH600SS Oblong pull handle version.

Backset:

Gainsborough recommends positioning pull handles at 60mm backset. If you decide to position at an alternative backset, please ensure the pull handle will not hit the door frame on door closure.

How to install:

Concealed Fixing of Single Pull Handle – for solid timber doors

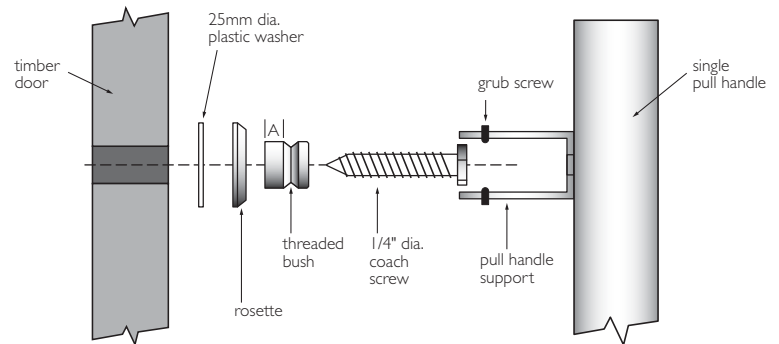
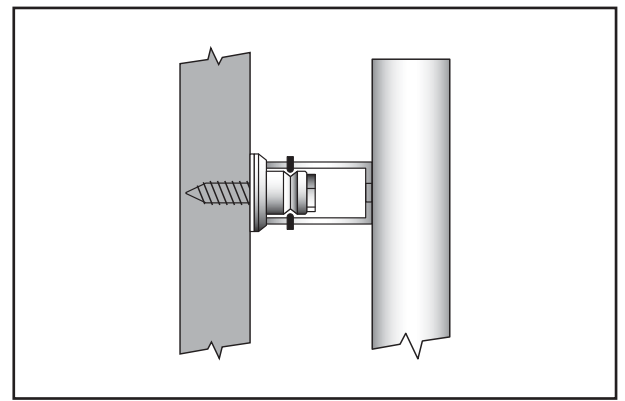
(to suit 35mm-50mm thick timber doors)

Steps:

- 1 At desired position on door (recommended 60mm backset) mark top and bottom fixing hole locations to the same distance as the centre to centre point distance of the pull handle supports that affix to door.
- 2 Drill appropriate hole at top and bottom points to a suitable depth ONLY to accommodate coach screws.

Steps 3 & 4 should be followed for each fixing hole (top and bottom):

- 3 On the side requiring the pull handle, hold the optional plastic washer* (25mm diameter for tubular pull handle versions with tubular supports or rectangular for Oblong pull handle version) centred over the hole against the door surface. Hold optional stainless steel rosette* (only applicable to tubular pull handle versions with tubular supports) against the washer and then hold the threaded bush onto the stainless steel rosette, ensuring the larger section of the bush, as marked 'A' in illustration, is facing the door.
- 4 Then, from the same side, install the 1/4" diameter coach screw through the threaded bush, through the stainless steel rosette and plastic washer and into the door. Tighten coach screw securely with spanner.
- 5 Place each pull handle support over each bush at top and bottom, install grub screws and tighten with allen key provided



Note: Ensure larger section of threaded bush, as marked 'A' above, is facing door

How to install:

Visible Fixing of Single Pull Handle – for solid timber doors

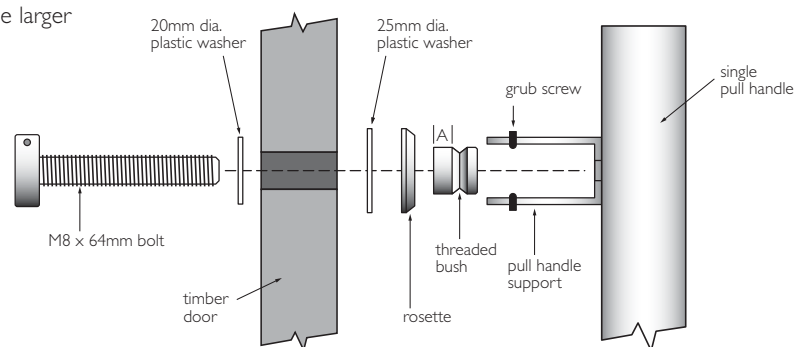
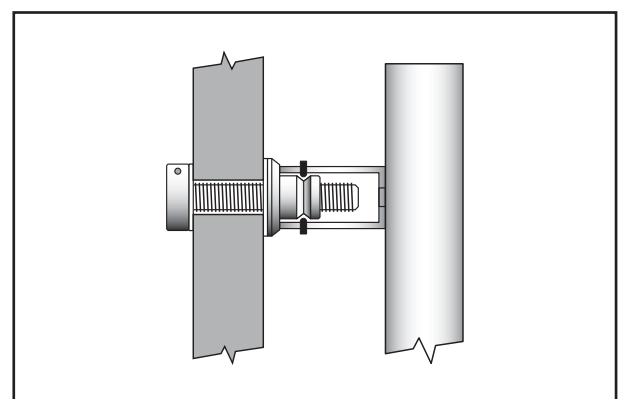
(to suit 35mm-50mm thick timber doors)

Steps:

- 1 At desired position on door (recommended 60mm backset) mark top and bottom fixing hole locations to the same distance as the centre to centre point distance of the pull handle supports that affix to door.
- 2 Drill 8.5mm hole at top and bottom points to accommodate fixing bolts.

Steps 3 & 4 should be followed for each fixing hole (top and bottom):

- 3 On the side requiring the pull handle, hold the optional plastic washer* (25mm diameter for tubular pull handle versions with tubular supports or rectangular for Oblong pull handle version) centred over the hole against the door surface. Hold optional stainless steel rosette* (only applicable to tubular pull handle versions with tubular supports) against the washer and then hold the threaded bush onto the stainless steel rosette, ensuring the larger section of the bush, as marked 'A' in illustration, is facing the door.
- 4 Then, from the other side, install the M8 x 64mm bolt with 20mm diameter head through 20mm diameter plastic washer, through the door, and into the threaded bush. Screw tight by hand, then tighten securely using allen key provided.
- 5 Place each pull handle support over each bush at top and bottom, install grub screws and tighten with allen key provided.



Note: Ensure larger section of threaded bush, as marked 'A' above, is facing door

How to install:

Visible Fixing of Single Pull Handle

– for glass doors

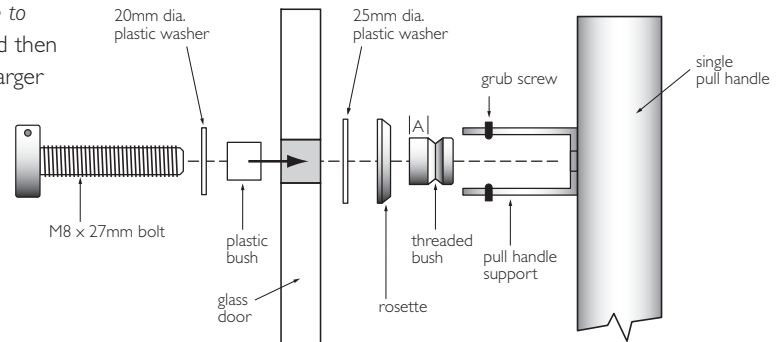
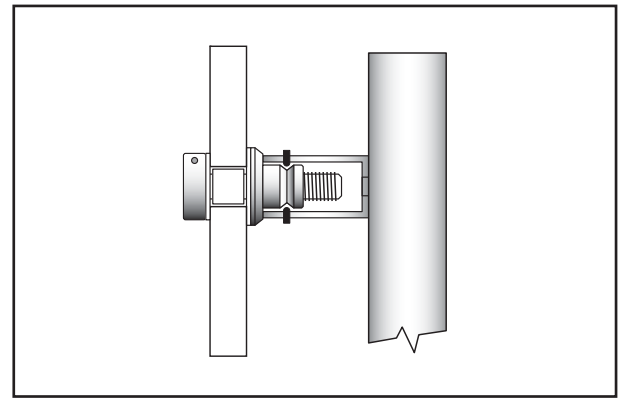
(to suit minimum 12mm thick glass doors)

Steps:

- 1 Please arrange for your glass door to be supplied with the required fixing holes, correctly spaced to match the centre to centre point distance of your pull handle purchased.
- 2 Fixing components are supplied to suit minimum 12mm thick glass doors.

Steps 3, 4 & 5 should be followed for each fixing hole (top and bottom):

- 3 Install plastic bush inside each fixing hole in glass door.
- 4 On the side requiring the pull handle, hold the optional plastic washer* (25mm diameter for tubular pull handle versions with tubular supports or rectangular for Oblong pull handle version) centred over the hole against the door surface. Hold optional stainless steel rosette* (only applicable to tubular pull handle versions with tubular supports) against the washer and then hold the threaded bush onto the stainless steel rosette, ensuring the larger section of the bush, as marked 'A' in illustration, is facing the door.
- 5 Then, from the other side, install the M8 x 27mm bolt with 20mm diameter head through the 20mm diameter plastic washer, through the door, and into the threaded bush. Screw tight by hand, then tighten securely using allen key provided.
- 6 Place each pull handle support over each bush at top and bottom, install grub screws and tighten with allen key provided.



Note: Ensure larger section of threaded bush, as marked 'A' above, is facing door

How to install:

Back to Back Installation

– for solid timber doors

(to suit 35mm-50mm thick timber doors) **Note: 2 pull handles required**

Steps:

- 1 At desired position on door (recommended 60mm backset) mark top and bottom fixing hole locations to the same distance as the centre to centre point distance of the pull handle supports that affix to door.
- 2 Drill 8.5mm hole at top and bottom points to accommodate fixing bolts.

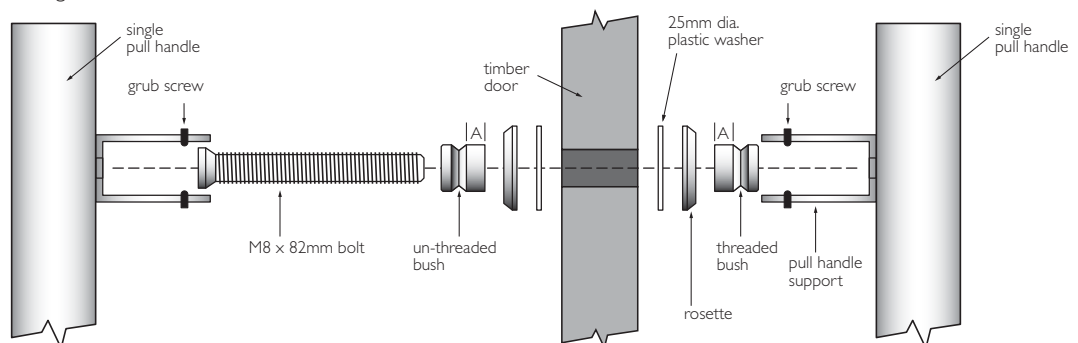
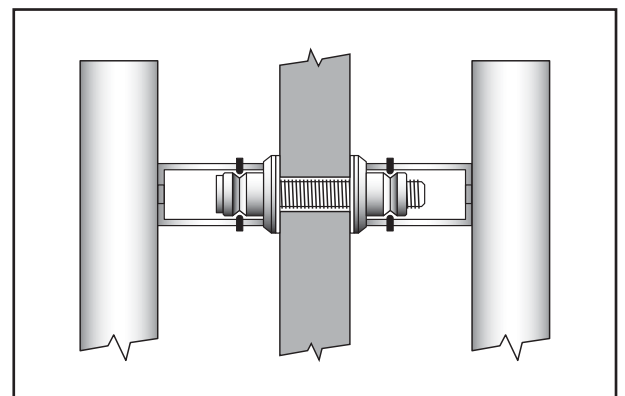
Step 3 should be followed for each fixing hole (top and bottom):

- 3 On one side of the door: Hold the optional plastic washer* (25mm diameter for tubular pull handle versions with tubular supports or rectangular for Oblong pull handle version) centred over the hole against the door surface. Hold optional stainless steel rosette* (only applicable to tubular pull handle versions with tubular supports) against the washer and then hold the un-threaded bush onto the stainless steel rosette, ensuring the larger section of the bush, as marked 'A' in illustration, is facing the door. From the same side, insert the M8 x 82mm bolt with small head through bush and door to extend on the other side.

On the other side of the door: Place the optional 25mm diameter plastic washer* (25mm diameter for tubular pull handle versions with tubular supports or rectangular for Oblong pull handle version) over extended bolt and move up against door face. Place optional stainless steel rosette* (only applicable to tubular pull handle versions with tubular supports) over the extended bolt, against the washer; then screw on the threaded bush, ensuring the larger section of the bush, as marked 'A' in illustration, is facing the door.

Screw on until all components are firmly held to the door. Tighten the bolt securely with a screwdriver.

- 4 On each side of the door: Place each pull handle support over each bush at top and bottom, install grub screws and tighten with allen key provided.



Note: Ensure larger section of threaded bush, as marked 'A' above, is facing door

*Specific plastic washer varieties and stainless steel rosettes, where referred to above, are OPTIONAL for installation and are only included with the applicable pull handle version.