

Installation instructions for Privacy Adaptor

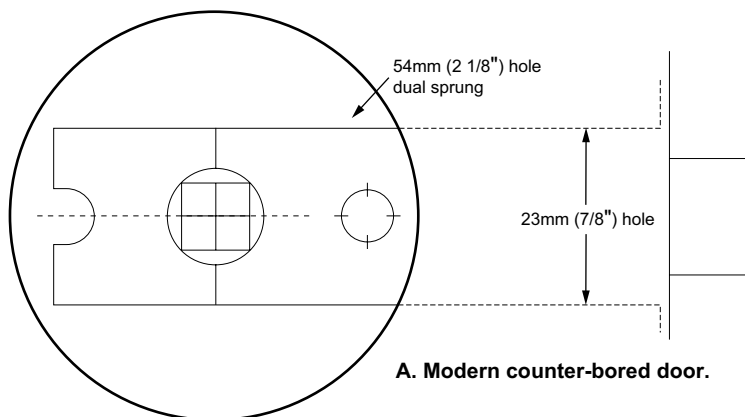
309 - Auto Releasing, 308 - Manual Release

When installing a 308 do not remove sticker on the inside assembly to ensure correct position of spindle through latch.

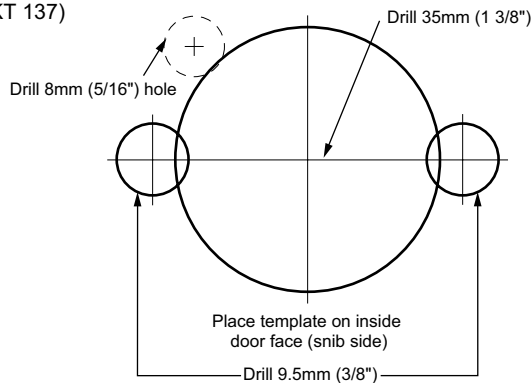
Fitting Instructions

Installation procedure for privacy adaptor which suits Gainsborough decorative knobsets when used in conjunction with Gainsborough dual sprung tubular latches for internal doors 33mm - 40mm (1 1/4" - 1 5/8") in thickness.

For thicker doors up to 50mm (2") you will require an extended screw and spindle kit (KT 137)



A. Modern counter-bored door.



B. Older door with individual screw holes.

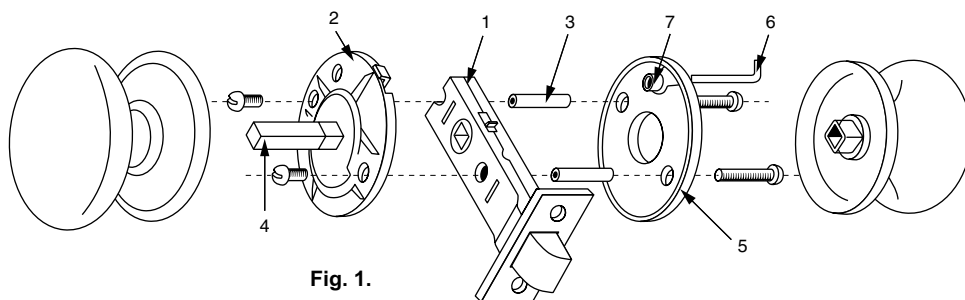


Fig. 1.

1. Dual sprung tubular latch
2. Inside assembly (snib side)
3. Brass posts (supplied with knobset)
4. Spindle
5. Outside assembly (emergency release side)
6. Emergency release bar
7. Emergency release bar hole

Fitting Instructions

Note: All numbers in brackets () denote an item on figure 1.

1. For older doors (B) drill an additional 8mm hole, shown as a broken circle, from 'inside' door face (snib side), after which installation is identical for A. and B. doors.
2. Fit Gainsborough 'dual sprung tubular latch' (1)
3. Insert two short screws through the 'inside assembly' (2) and firmly attach 'brass posts' (3).
4. Locate special half spindle (4) into square hole in 'inside assembly' (2) and insert 'posts' (3) and 'spindle' (4) through latch until assembly makes firm contact with door face. See fig. 2.
5. Insert long screws into brass posts for a few turns.
6. Ensure that 'emergency release bar hole' (7) is facing upwards and slip the keyholes in the 'outside assembly' (5) over the protruding screw heads and slide downwards. See fig. 3.
7. View assemblies from edge of door and adjust for level. Tighten screws firmly in keyhole slot.
8. Insert 'L' shaped 'Emergency Release Bar' (6) into 'outside assembly' emergency release bar hole' (See fig. 1.)

Note: Please ensure your doorsteps have adequate clearance to prevent damage to your knobset or wall.

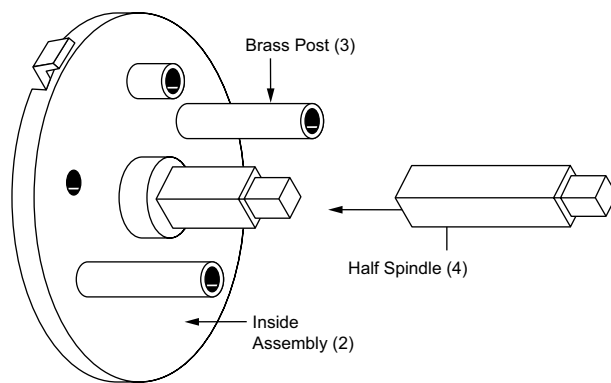


Fig. 2.

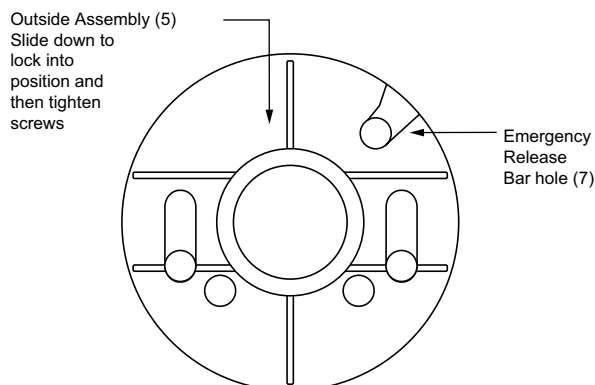


Fig. 3.

Gainsborough[®]

Gainsborough Hardware Industries Limited,
Melbourne, Australia. A.B.N. 25 004 792 269
www.gainsboroughhardware.com.au

Installation instructions for Privacy Adaptor

309 - Auto Releasing, 308 - Manual Release

Important Notice to Customers: Privacy Adaptor. Please Read Carefully.

To the Homeowner

Congratulations on purchasing the Gainsborough privacy adaptor, manufactured in Australia from quality, durable materials that will provide many years of trouble free service.

This product is designed to be used in conjunction with the Gainsborough decorative passage sets, to provide locking from inside and emergency release from outside, suitable for bedroom or bathroom door applications.

10 Year Guarantee

Your new Gainsborough privacy adaptor is covered by a full 10 year Guarantee:

- Gainsborough Hardware Industries Ltd guarantees to replace this product if within 10 years from the proven date of purchase, any material or mechanical defects occur.
- Gainsborough privacy adaptors feature a durable, tarnish resistant finish which is covered by a 10 year guarantee against tarnishing under normal use.*

The above guarantee is subject to proper installation, fair wear and tear, and where the product is used in the manner in which it is designed.

Operational Details

Gainsborough privacy adaptors are to be used in conjunction with Gainsborough decorative passage sets to provide internal locking and emergency release for bedroom or bathroom applications.

The privacy adaptor, when engaged, prevents entry from the external side (outside) of the door. All Gainsborough privacy adaptors however include an "Emergency Release Function" to allow entry from the outside in the event that the internal occupant is unable to operate the door.

Important Note:

Please test that this function is operational after the installation:

- Activate the privacy function from the internal side of the door.
- Release the privacy from the external side using the emergency release arm.

If the emergency release function is not operational contact your installer or supplier.

* This guarantee does not extend to labour costs, personal loss, death or injury or economic, consequential or property damage of any kind whatsoever.

The logo for Gainsborough Hardware Industries Limited, featuring the brand name in a stylized, cursive script with a registered trademark symbol.

Gainsborough Hardware Industries Limited,
Melbourne, Australia. A.B.N. 25 004 792 269
www.gainsboroughhardware.com.au

PAIT 026
SEP '09