

# 3000 Series Mortice Lock Mounting

# Installation Instructions

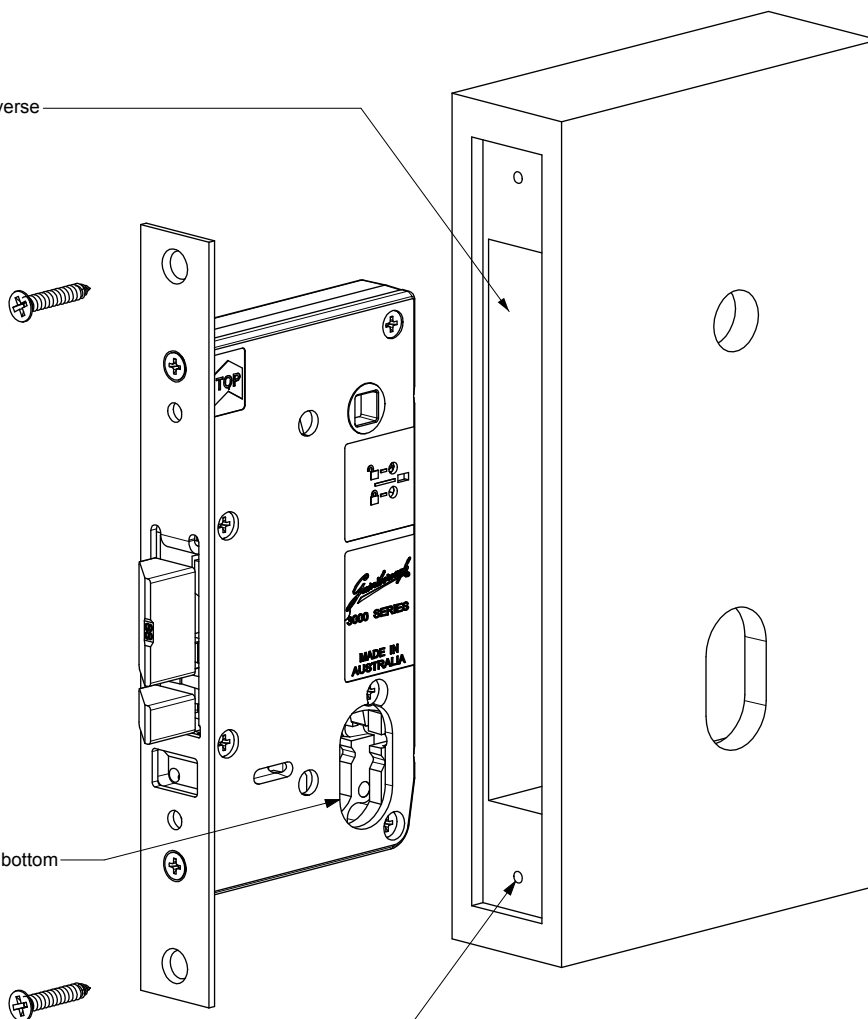
## Mounting Lock To Door

Refer to template on reverse side for mortice details

Note: Cylinder is at the bottom

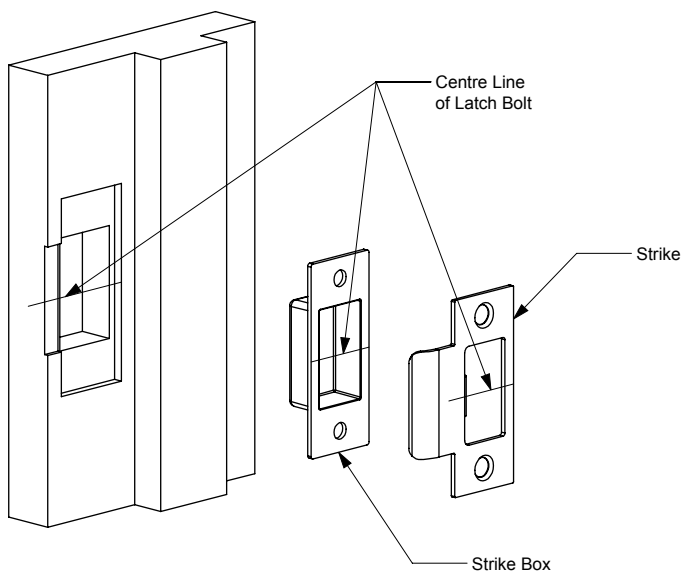
- With lock fitted in position, drill  $\varnothing$  3.0mm (1/8") pilot holes.
- Secure lock with supplied screws.

**Warning:** Do Not Over-torque & break screws.



## Mounting Strike

- Mortice Lock should be installed prior to mounting the Strike.
- Mark centre of latch bolt on door frame.
- Mortice out to suit the Strike and Strike Box.
- Screw to door frame with screws supplied.



*Gainsborough*<sup>®</sup>

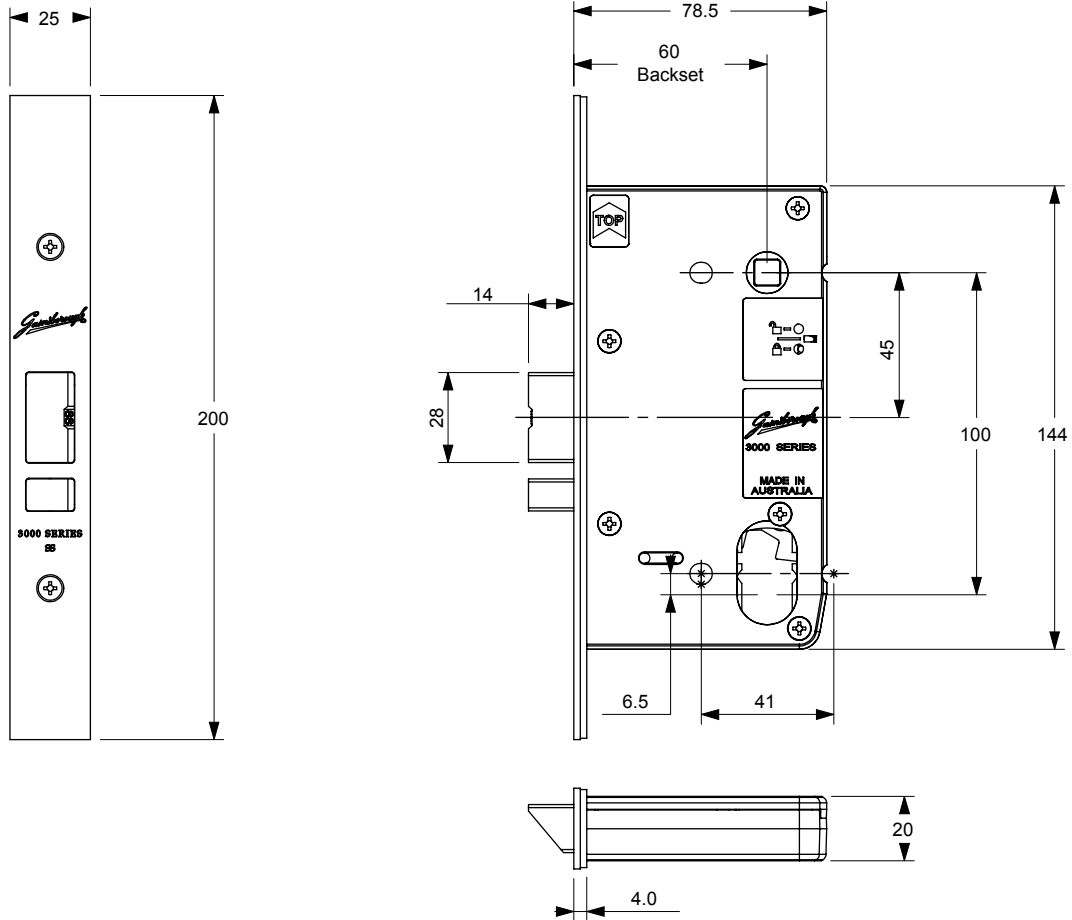
Gainsborough Hardware Industries Limited,  
Melbourne, Australia. A.B.N. 25 004 792 269  
[www.gainsboroughhardware.com.au](http://www.gainsboroughhardware.com.au)

AT055  
OCT '09

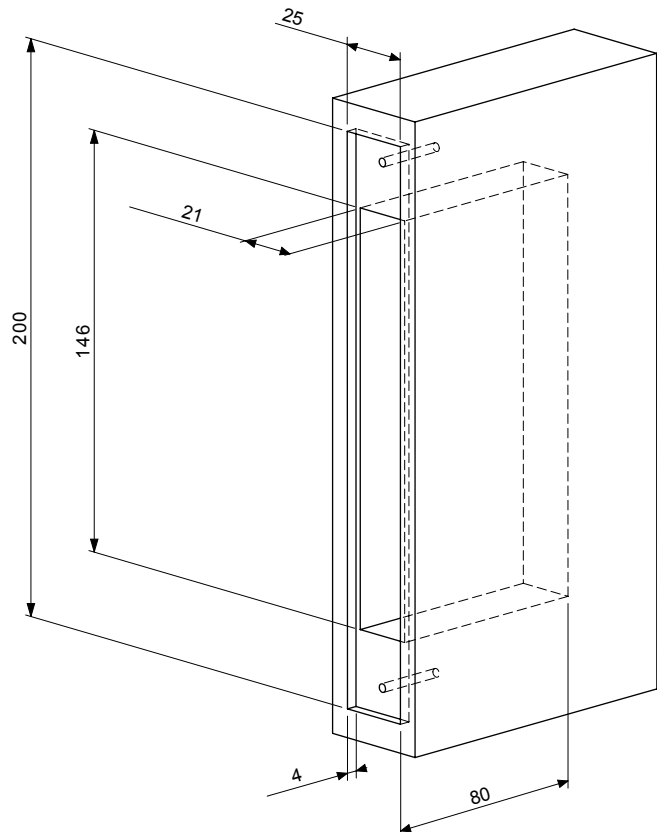
# 3000 Series Mortice Lock

# Installation Instructions

## Limiting Dimensions



## Morticing Door



Gainsborough Hardware Industries Limited,  
Melbourne, Australia. A.B.N. 25 004 792 269  
[www.gainsboroughhardware.com.au](http://www.gainsboroughhardware.com.au)

AT055  
OCT '09