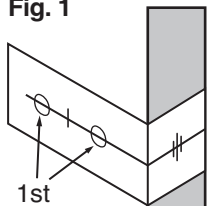
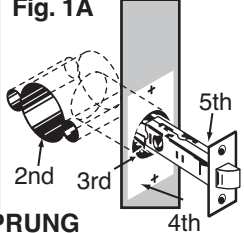
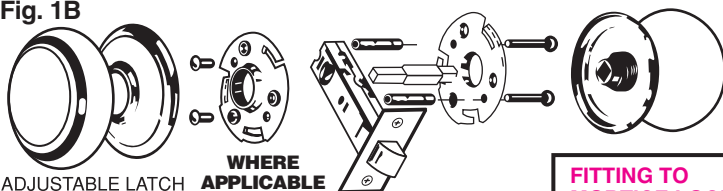


Fig. 1**3 HOLE DUAL SPRUNG****Fig. 1A****Fig. 1B****ADJUSTABLE LATCH WHERE APPLICABLE**

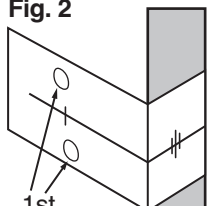
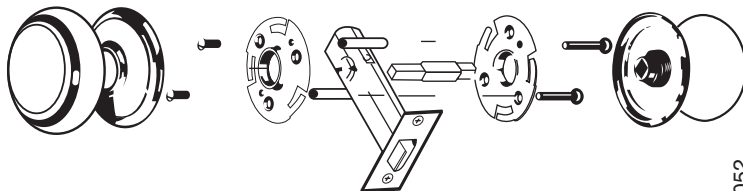
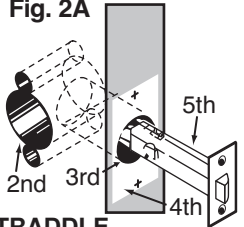
To change backset from 60mm ($2\frac{3}{8}$ ") to 70mm ($2\frac{3}{4}$ "), pull spindle cam in the direction away from faceplate. To reset to 60mm ($2\frac{3}{8}$ ") backset, push spindle cam back to original position (towards faceplate).

FITTING TO MORTICE LOCKS

Discard posts and screws, after locating fixing plates drill 3 holes x 4mm ($5/32$ ") diam. into each side of door and fix with 10 gauge x $\frac{3}{8}$ " self tapping screws.

INSTALLATION INSTRUCTIONS FOR GAINSBOROUGH DUAL SPRUNG TUBULAR LATCH SYSTEM

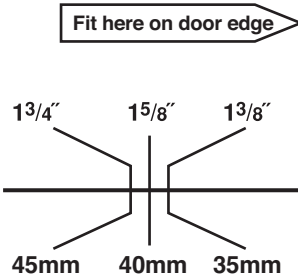
- Scribe drilling centres using appropriate template (see over).
- Drill door as shown at Fig. 1/1A and fit latch.
- Unscrew fixing plates from knob assemblies (see Fig. 1B).
- Insert short screws through 2 small holes and attach the 2 posts to underside of one fixing plate.
- Insert posts through door and latch and fasten 2nd plate with 2 long screws.
- Insert drive shaft through the latch and screw the door knob assemblies to fixing plates until roses make firm contact with door.

Fig. 2**3 HOLE STRADDLE****Fig. 2A****INSTALLATION INSTRUCTIONS FOR STRADDLE TUBULAR LATCH SYSTEM**

- Scribe drilling centres using appropriate template (see over).
- Drill door as shown at Fig. 2/2A and fit latch.
- Unscrew fixing plates from knob assemblies (see Fig. 2B).
- Insert short screws through 2 small holes and attach the 2 posts to underside of one fixing plate.
- Insert posts through door to straddle latch, fit 2nd plate, ensure central fitting, secure with long screws.
- Insert drive shaft through the latch and screw the door knob assemblies to fixing plates until roses make firm contact with door.

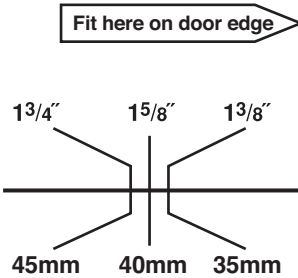
INSTALLATION INSTRUCTIONS FOR GAINSBOROUGH DUAL SPRUNG OR STRADDLE TUBULAR LATCH SYSTEM

Note: Drill Small Holes First



DOOR THICKNESS

drill 25mm (1") hole at centre of door edge



DOOR THICKNESS

drill 25mm (1") hole at centre of door edge

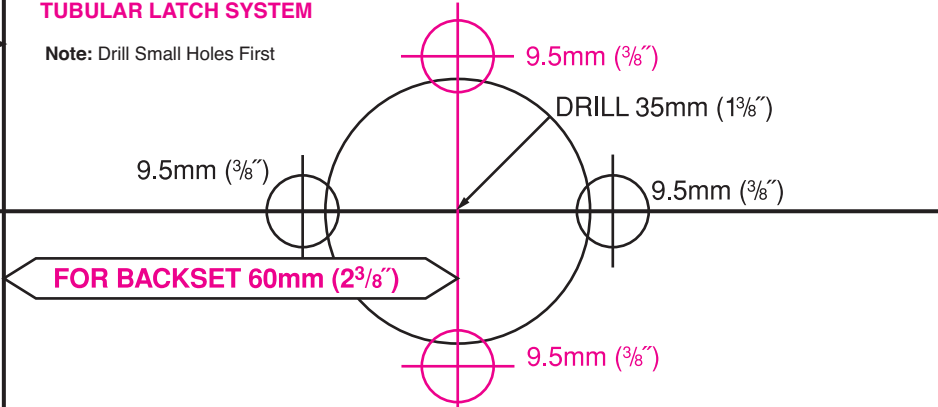
FOR BACKSET 60mm (2 3/8")

INSTALLATION INSTRUCTIONS FOR GAINSBOROUGH DUAL SPRUNG OR STRADDLE TUBULAR LATCH SYSTEM

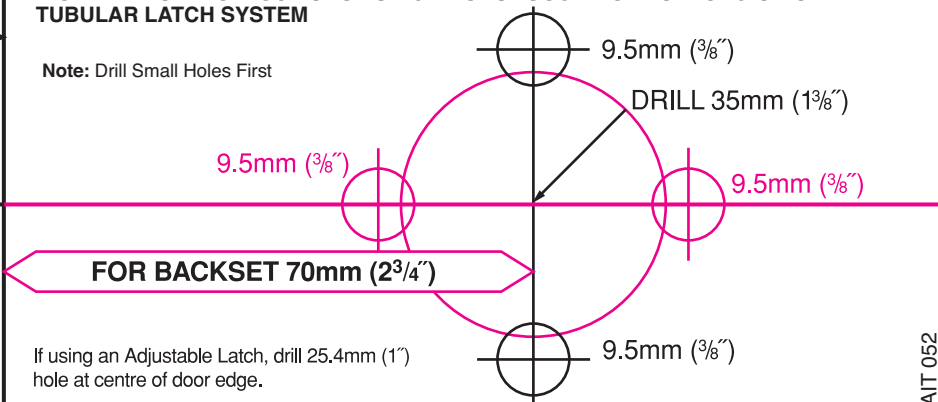
Note: Drill Small Holes First

If using an Adjustable Latch, drill 25.4mm (1") hole at centre of door edge.

FOR BACKSET 70mm (2 3/4")



ALSO SUITABLE FOR 50mm (2") AND 54mm (2 1/8") PRE DRILLED DOORS



ALSO SUITABLE FOR 50mm (2") AND 54mm (2 1/8") PRE DRILLED DOORS