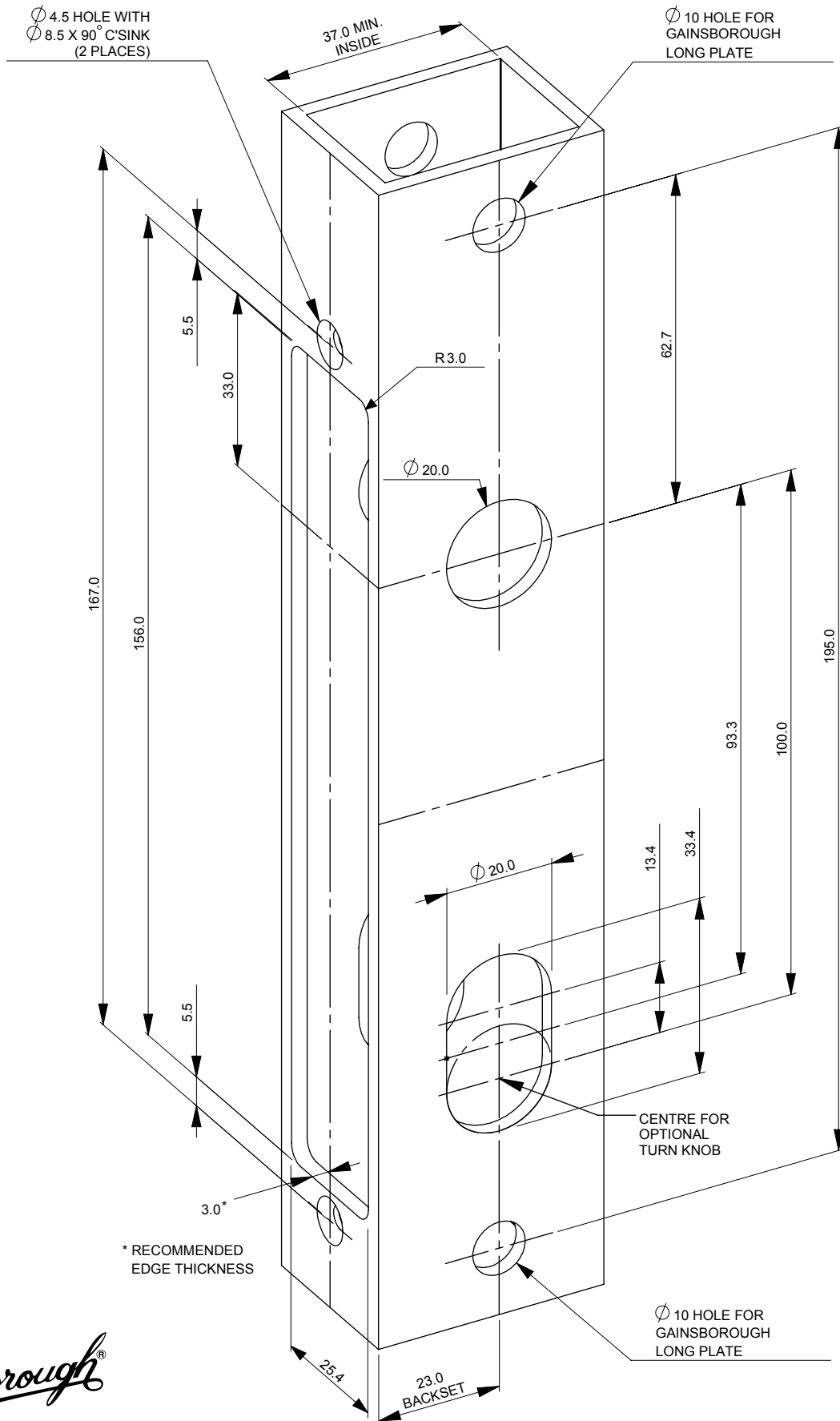


2000 Series Mortise Lock Metal Door Mounting Details

Installation Instructions



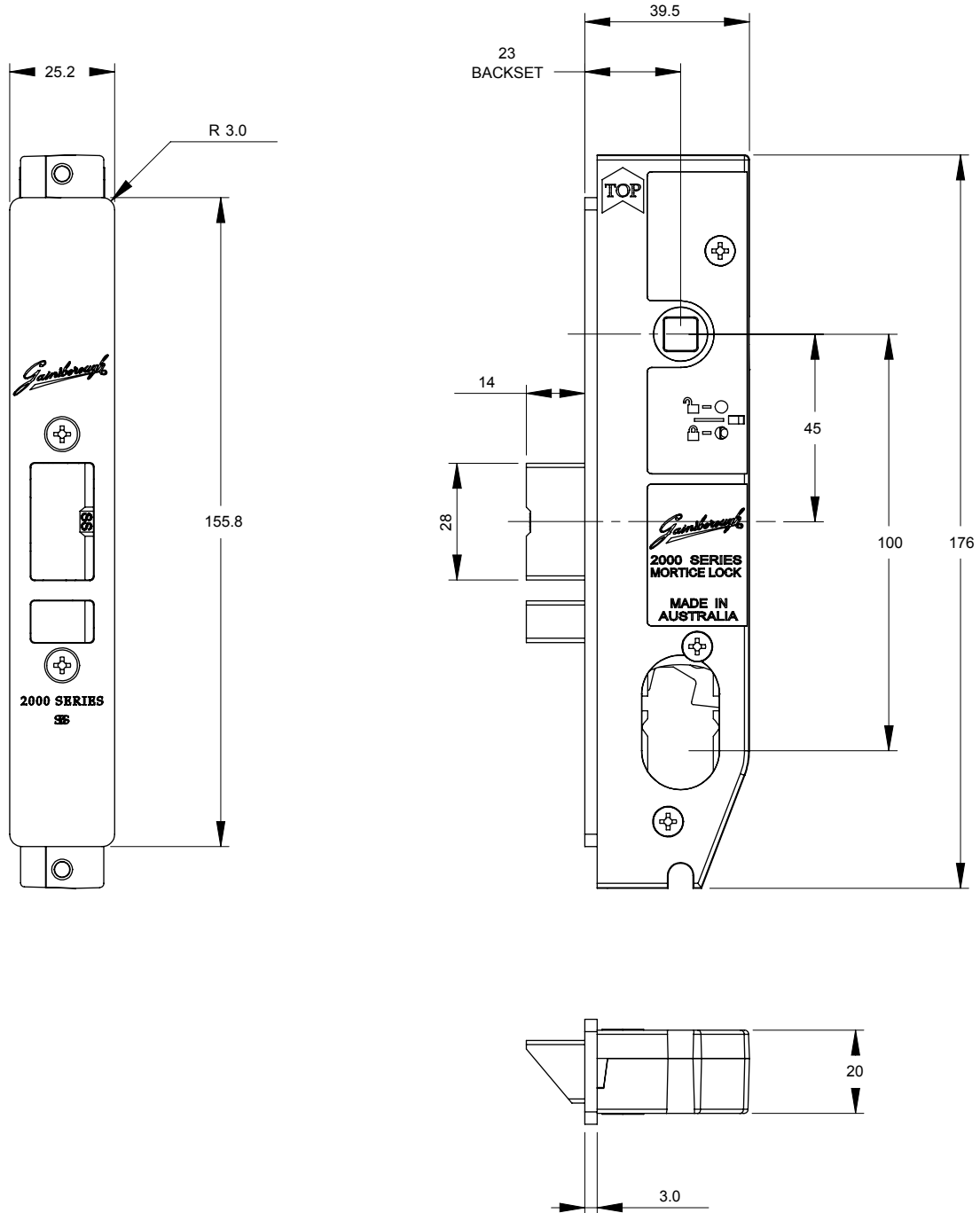
Gainsborough[®]

Gainsborough Hardware Industries Limited,
 Melbourne, Australia. A.B.N. 25 004 792 269
www.gainsboroughhardware.com.au

AT051
 OCT '09

2000 Series Mortice Lock Metal Door Mounting Details Installation Instructions

Limiting Dimensions



Gainsborough[®]

Gainsborough Hardware Industries Limited,
Melbourne, Australia. A.B.N. 25 004 792 269
www.gainsboroughhardware.com.au

AT051
OCT '09