

STRAP 203

TOP HUNG SLIDING HARDWARE FOR INDUSTRIAL DOORS AND SHEDS

FEATURES

- RELIABLE BALL-BEARING HANGERS
- EASY INSTALATION

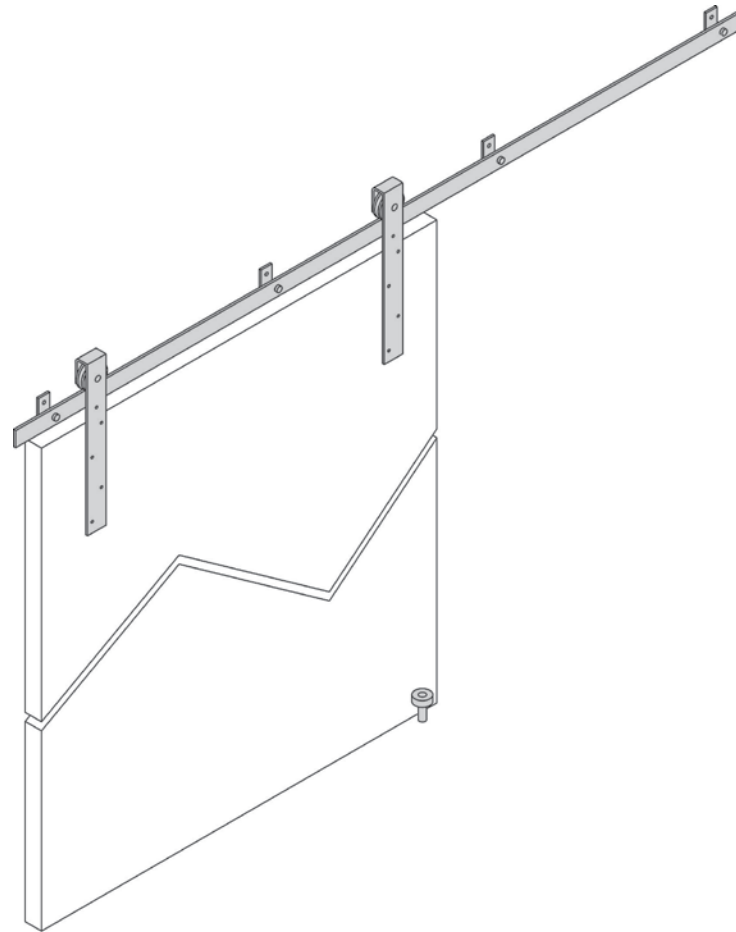
SPECIFICATIONS

Max door mass: 500kg
Max door height: 2400mm
Max door width: 1000mm
Door construction: Steel framed or timber - min 60mm thick
FOR EXPOSED DOORS, CONSIDER WIND PRESSURE.

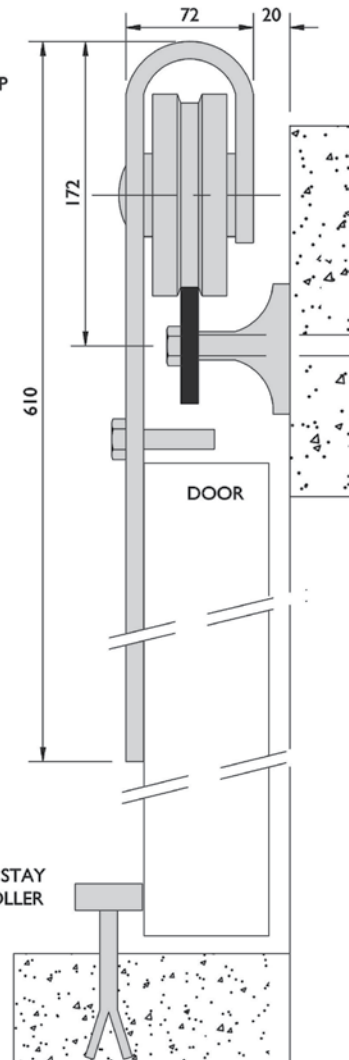
COMPONENTS

200 steel bar track with brackets
203 strap hangers
65 stay roller

ALTERNATIVE GUIDING (Refer STRAIGHTAWAY 100T)
40/19B guides (timber door)
19S steel guide channel with lugs



203 STRAP HANGER



SECTION THROUGH TRACK AND DOOR
SECTION SCALE: 1:4