

# STACKAWAY 844

BOTTOM ROLLING SLIDING AND STACKING HARDWARE FOR TIMBER OR ALUMINIUM DOORS

## FEATURES

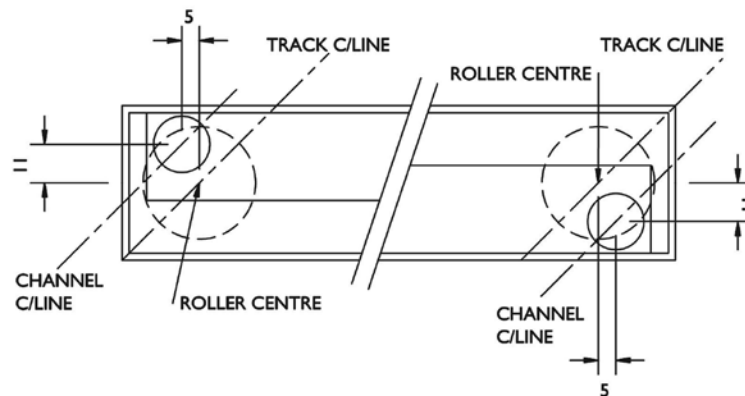
- PROVEN SHOPFRONT SYSTEM
- QUALITY BALL-BEARING, STAINLESS STEEL ROLLERS

## SPECIFICATIONS

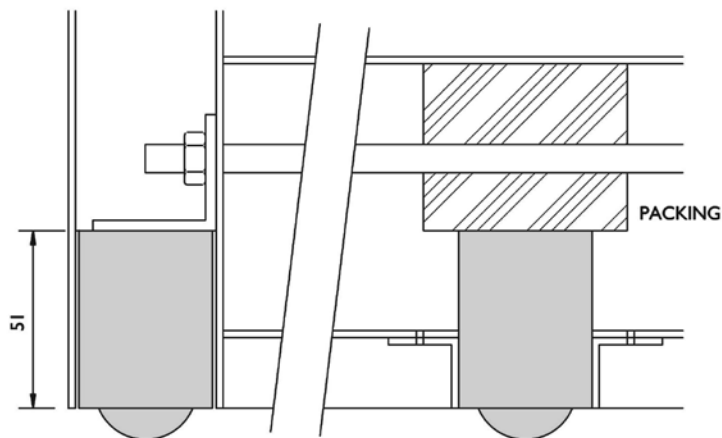
Max leaf mass: 100kg  
 Max leaf height: 2700mm  
 Max leaf width: 1200mm  
 Min leaf width: 800mm  
 Recommended leaf thickness: 44mm

## COMPONENTS

19LA aluminium or 19LB brass top channel and curves  
 42/19ST offset guides  
 844SS bottom roller  
 821B brass bottom track, points and curves (all curves to 500mm radius)  
 504NA aluminium or 506B brass flush handle



PLAN OF TOP GUIDE FIXING

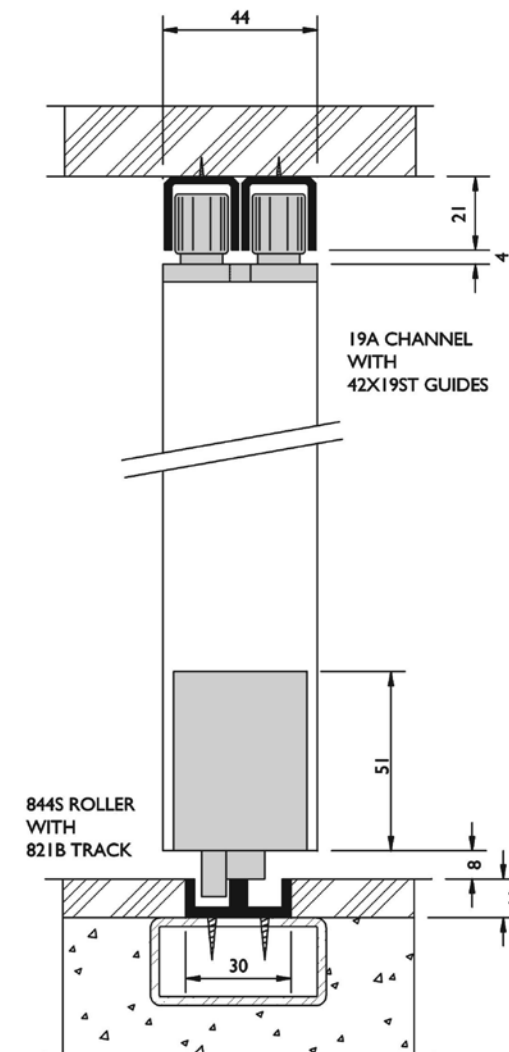


IN R1 TYPE STILE

IN R4 TYPE RAIL

BOTTOM ROLLER FIXING

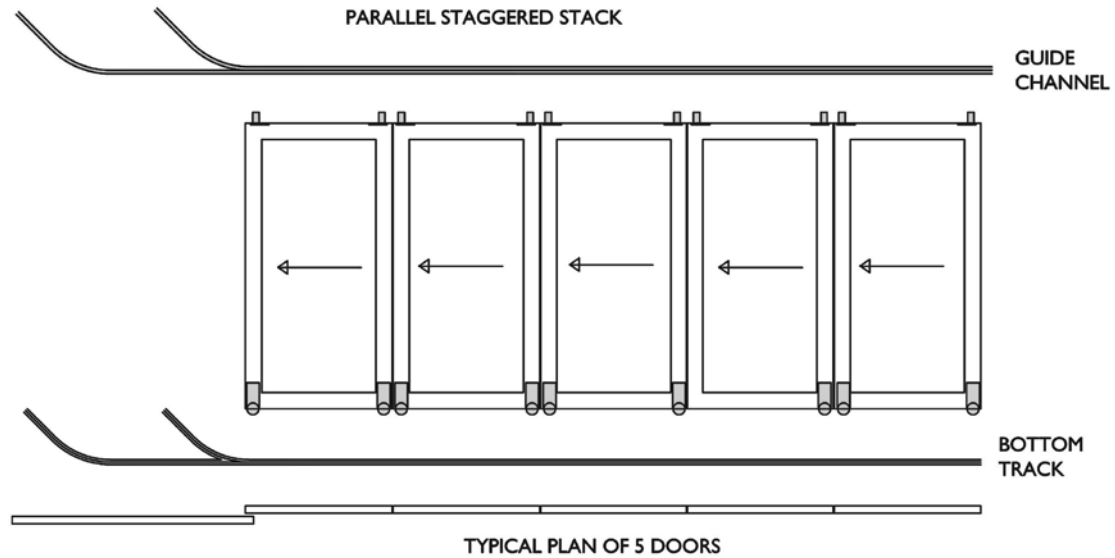
TYPICAL SECTION THROUGH DOOR



SECTION SCALE: 1:2

# STACKAWAY 844

TYPICAL LAYOUTS AND WHERE THE HARDWARE FITS



- ▬ - TOP GUIDES
- - BOTTOM ROLLERS

