

STACKAWAY 655GL

TOP HUNG SLIDING AND STACKING
HARDWARE FOR FRAMELESS GLASS DOORS

FEATURES

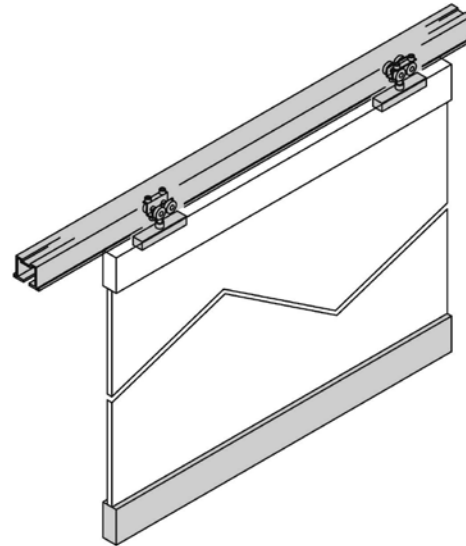
- NO FLOOR CHANNEL REQUIRED
- ALUMINIUM TOP TRACK
- SLIM RAIL WITH GLASS BOLT-THROUGH
- FLEXIBLE LAYOUT DESIGNS

SPECIFICATIONS

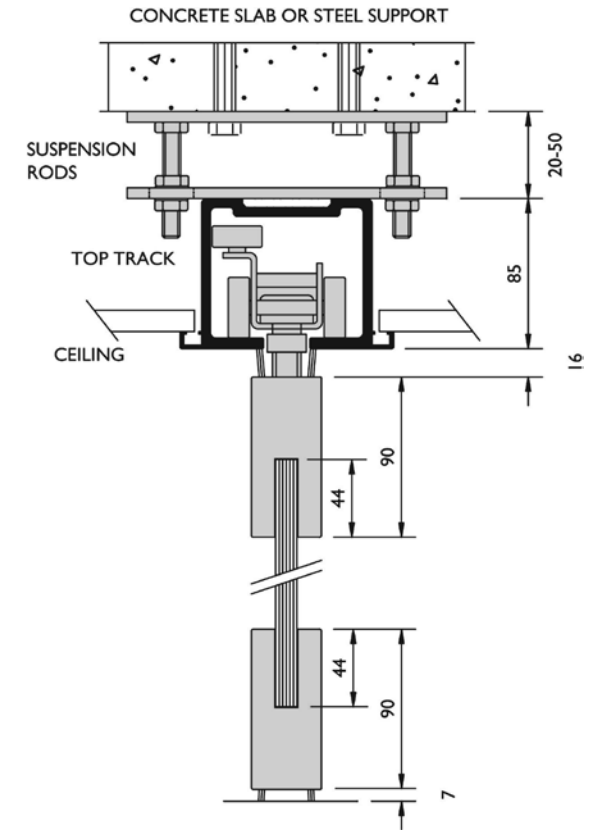
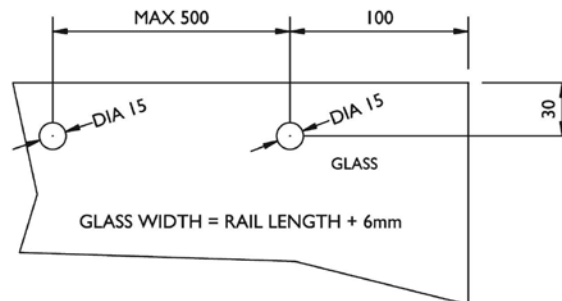
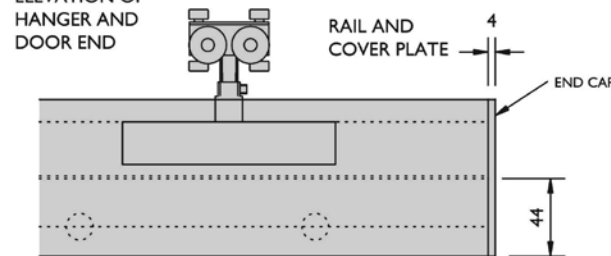
Max leaf mass: 150kg
 Max leaf height: 3500mm
 Max leaf width: 1200mm
 Glass: Tempered 10 or 12mm

COMPONENTS

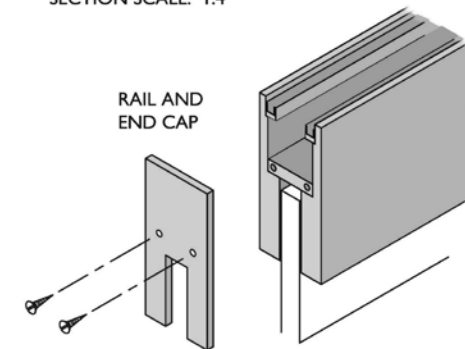
655 aluminium top track
 GL2 rail
 GL2 rail cover plates
 GL2 end caps
 655GL hangers
 655 stacking rig – to suit layout
 122 brush welt
 DRL5025 rail lock



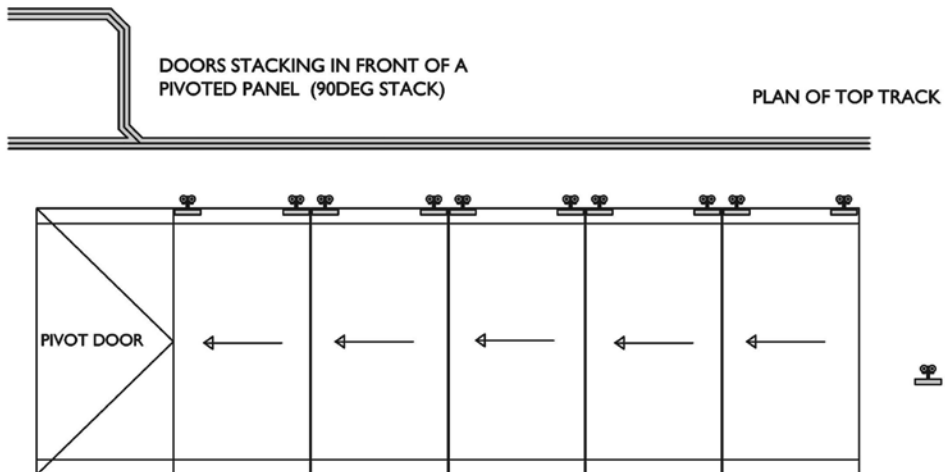
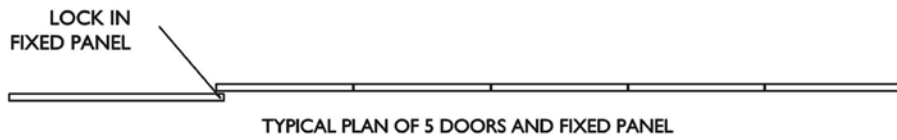
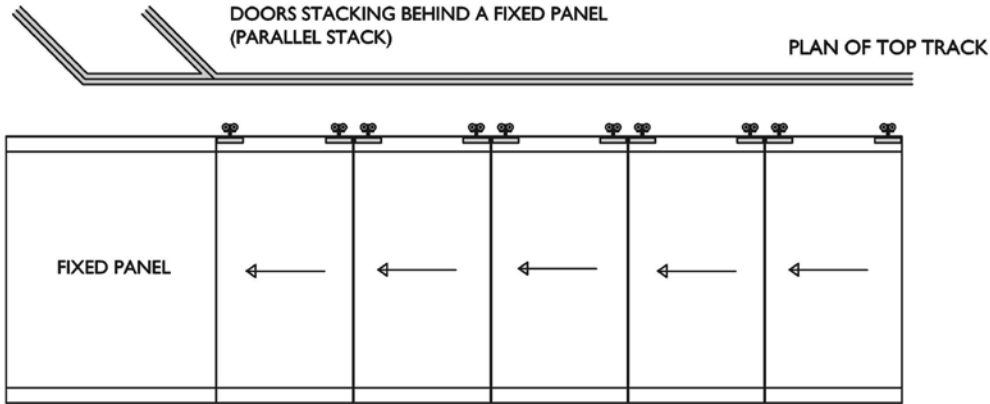
ELEVATION OF
HANGER AND
DOOR END



SECTION THROUGH DOOR
SECTION SCALE: 1:4



STACKAWAY 655GL



 - HANGER

