

STACKAWAY 655

TOP HUNG SLIDING AND STACKING
HARDWARE FOR ALUMINIUM AND TIMBER
DOORS

FEATURES

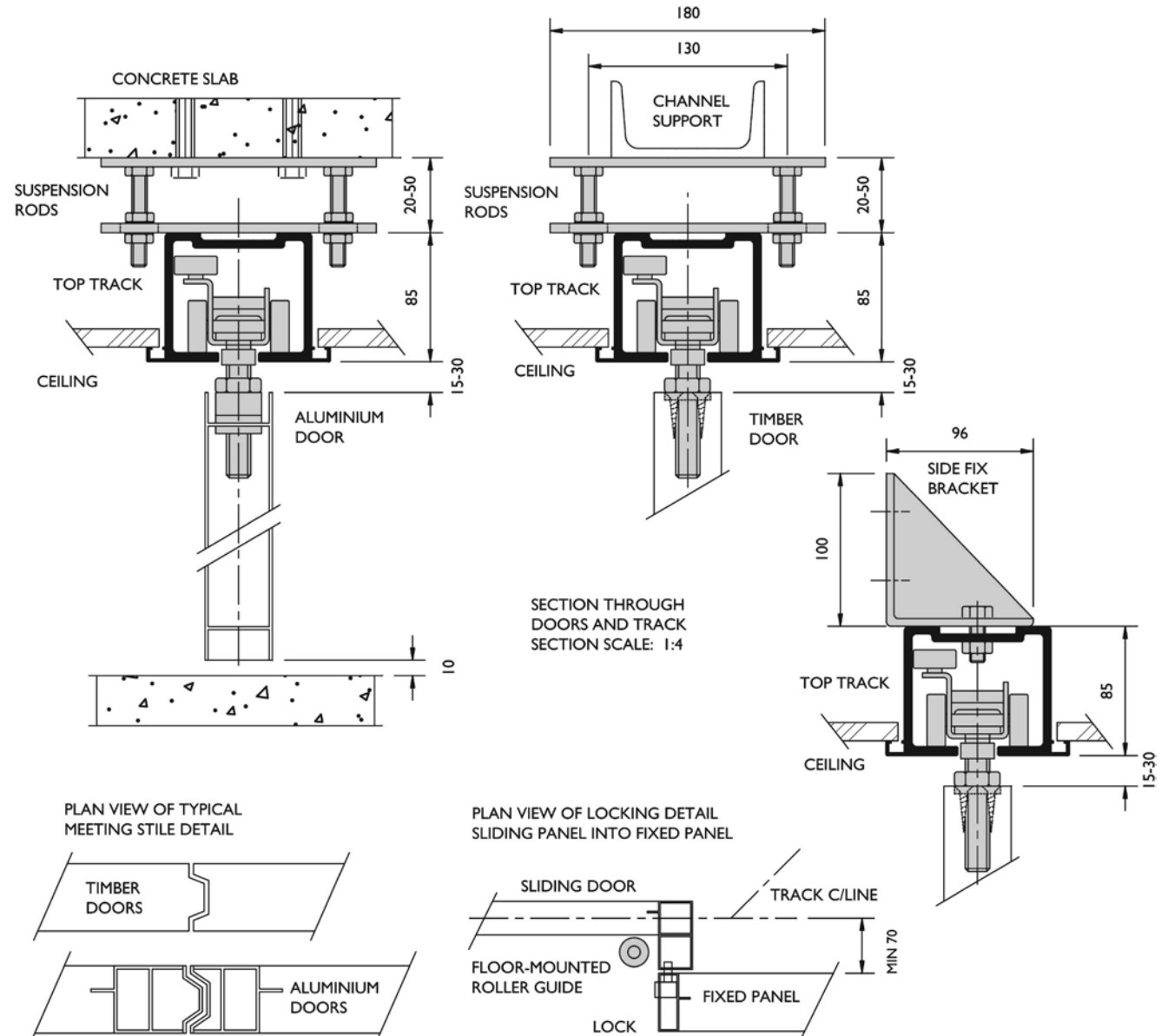
- NO FLOOR CHANNEL REQUIRED
- ALUMINIUM TOP TRACK
- TOUGH PROVEN HARDWARE
- FLEXIBLE LAYOUT DESIGNS

SPECIFICATIONS

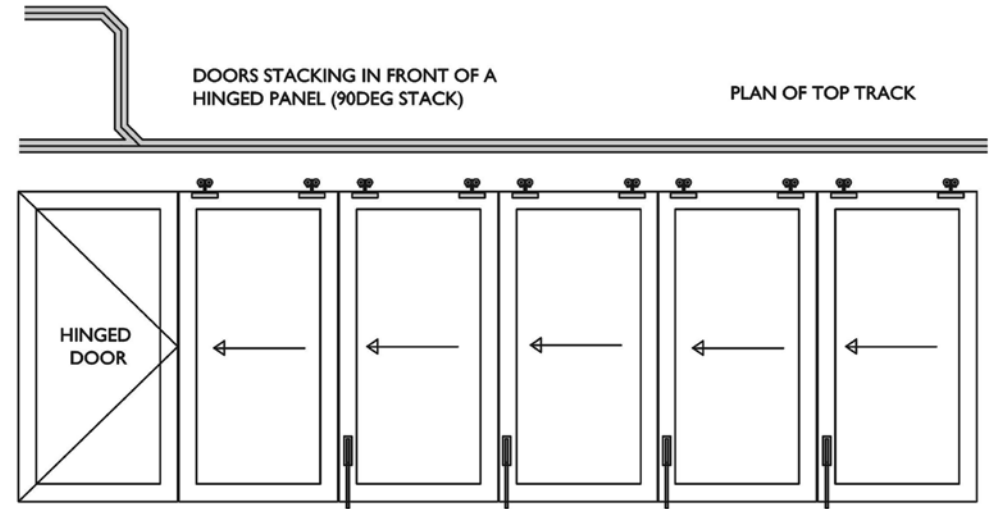
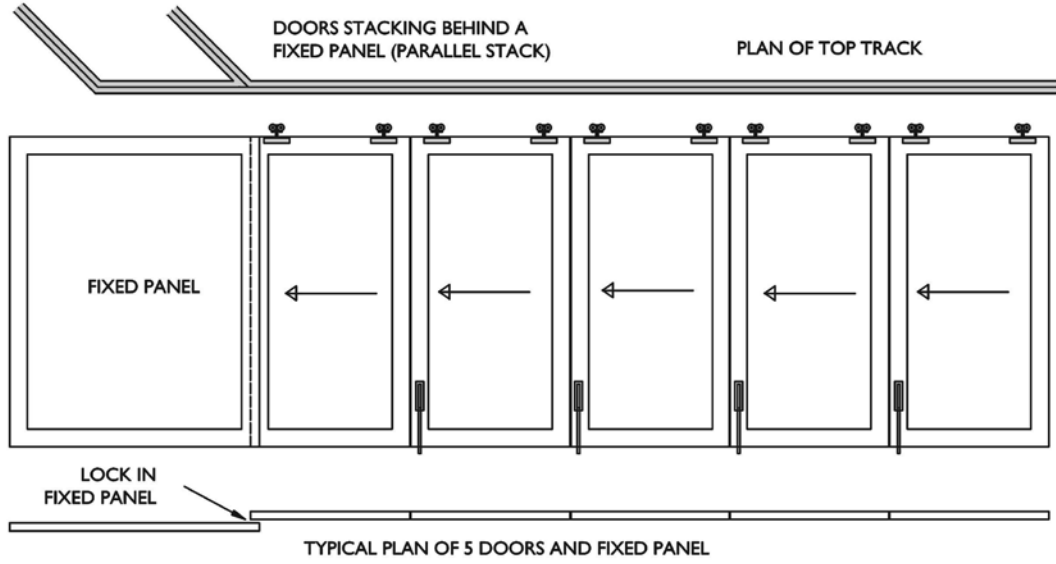
Max leaf mass: 150kg
Max leaf height: 3500mm
Max leaf width: 1200mm
Leaf thickness: 44-60mm

COMPONENTS

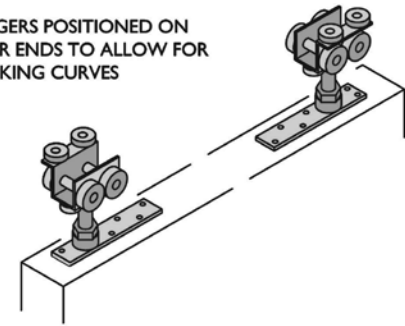
655 aluminium top track
655TPB hangers
655 stacking rig – to suit layout
504NA aluminium or 506B brass flush handle
498S or 498L long throw flush bolt and
499 sprung keep (aluminium doors)
488 x 6 flush bolt (timber doors)
122 brush welt
9116/735 pivot set for hinged leaf



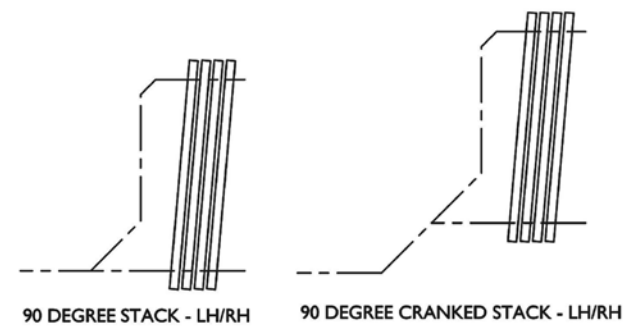
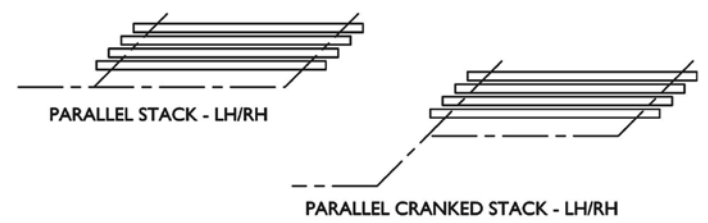
STACKAWAY 655





HANGERS POSITIONED ON DOOR ENDS TO ALLOW FOR STACKING CURVES



STACKING LAYOUTS



-  - HANGER
-  - FLUSH BOLT

