

STACKAWAY 355GL

TOP HUNG SLIDING AND STACKING
HARDWARE FOR FRAMELESS GLASS DOORS

FEATURES

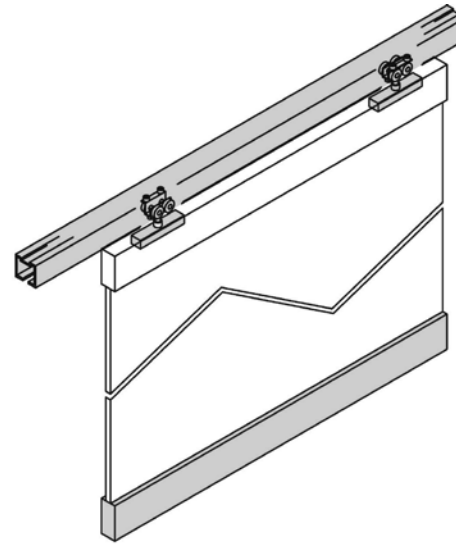
- NO FLOOR CHANNEL REQUIRED
- ALUMINIUM TOP TRACK
- SLIM RAIL WITH GLASS BOLT-THROUGH
- FLEXIBLE LAYOUT DESIGNS

SPECIFICATIONS

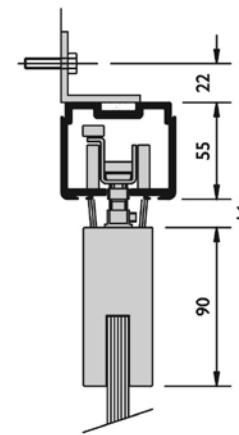
Max leaf mass: 100kg
Max leaf height: 2100mm
Max leaf width: 1000mm
Glass: Tempered 10 or 12mm

COMPONENTS

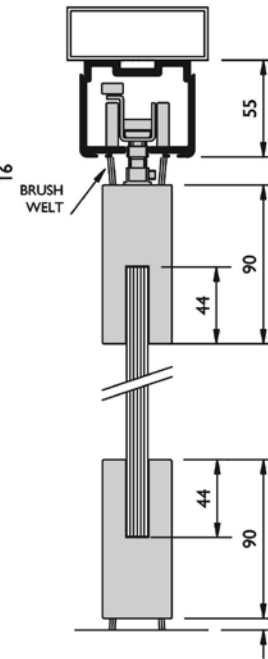
356 aluminium top track
GL2 rail
GL2 rail cover plates
GL2 end caps
355GL hangers
356 stacking rig – to suit layout
122 brush welt
DRL5025 rail lock



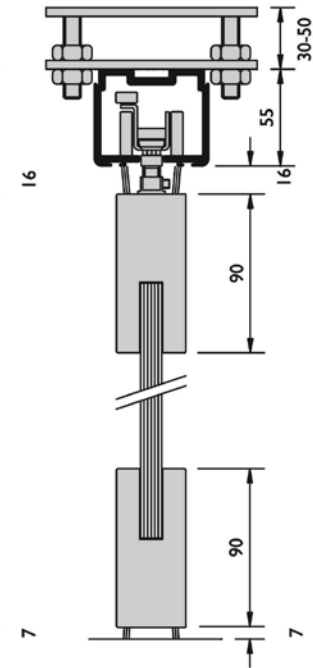
TRACK SIDE FIXED



TRACK SOFFITE FIXED
WITH BRUSH WELT
DRAUGHT SEALS

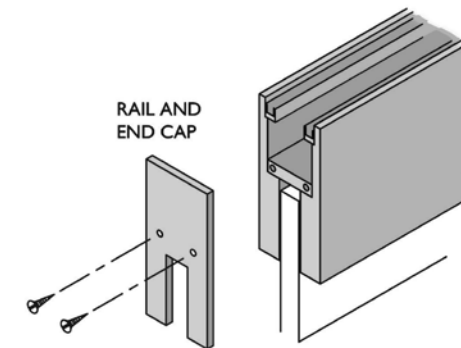
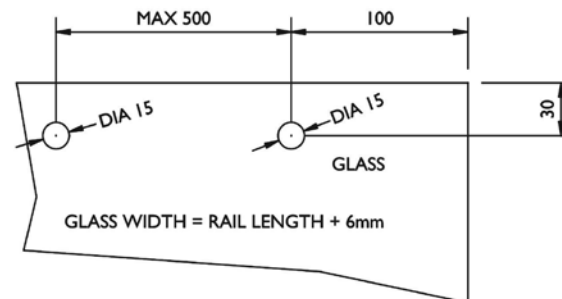
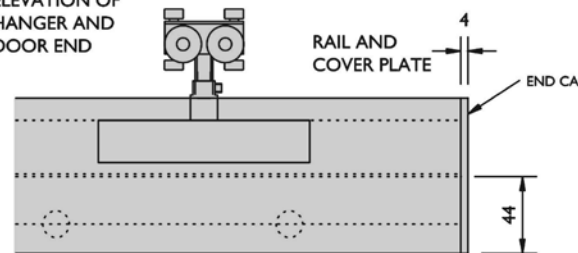


TRACK WITH ADJUSTABLE
SUSPENSION FIXINGS AND WITH
BRUSH WELT DRAUGHT SEALS



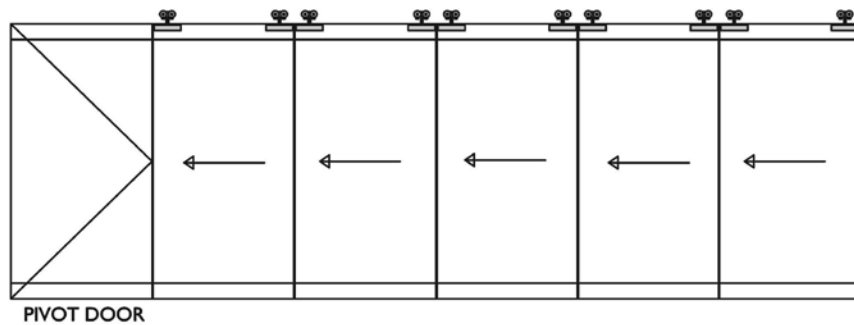
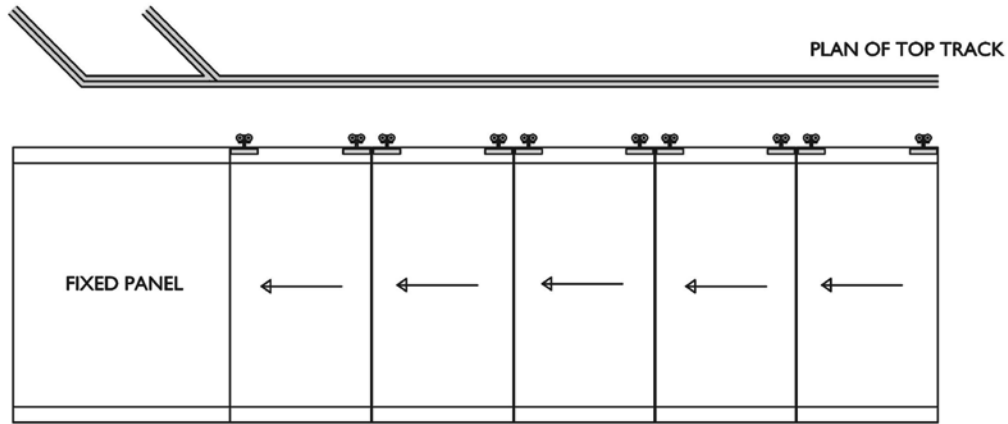
SECTION THROUGH DOORS AND TRACK
SECTION SCALE: 1:4

ELEVATION OF
HANGER AND
DOOR END



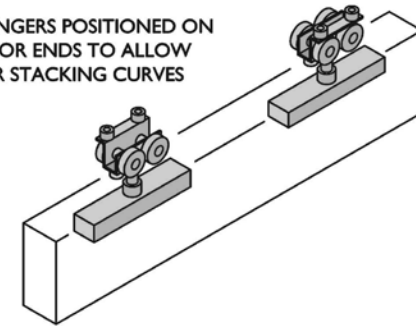
STACKAWAY 355GL

DOORS STACKING BEHIND A FIXED PANEL PARALLEL STACK

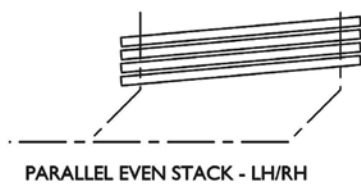
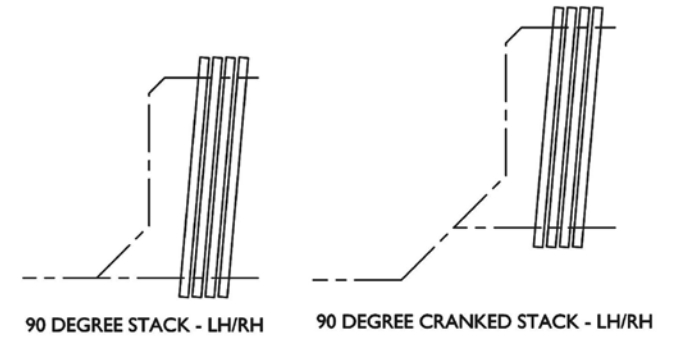
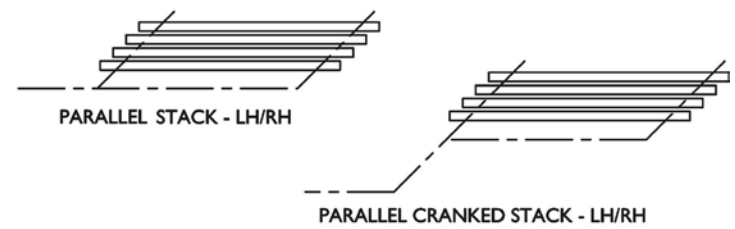


 - HANGER

HANGERS POSITIONED ON DOOR ENDS TO ALLOW FOR STACKING CURVES



STACKING LAYOUTS



PARALLEL EVEN STACK - LH/RH