

STACKAWAY 355

TOP HUNG SLIDING AND STACKING
HARDWARE FOR ALUMINIUM AND TIMBER
DOORS

FEATURES

- NO FLOOR CHANNEL REQUIRED
- ALUMINIUM TOP TRACK
- NON-CORROSIVE HARDWARE
- CLIP-ON REBATE
- FLEXIBLE LAYOUT DESIGNS

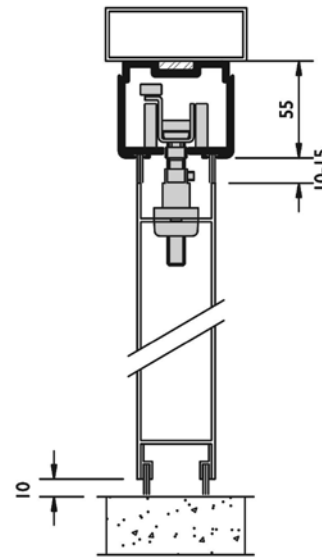
SPECIFICATIONS

Max leaf mass: 100kg
Max leaf height: 2100mm
Max leaf width: 1000mm
Leaf thickness: 44mm

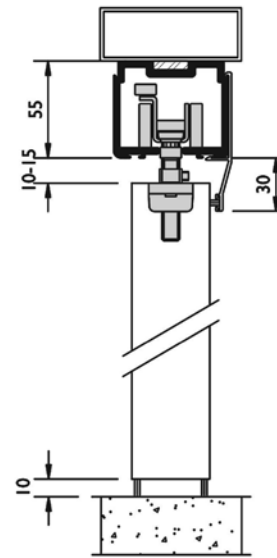
COMPONENTS

356 aluminium top track
356R clip-on rebate (optional)
355TP/A hanger for aluminium door
or 355TP/T hanger for timber door
356 stacking rig – to suit layout
504NA aluminium or 506B brass flush handle
498S or 498L long throw flush bolt and
499 sprung keep (aluminium doors)
488x6 flush bolt (timber doors)
122 brush welt
Woolpile for top track or rebate

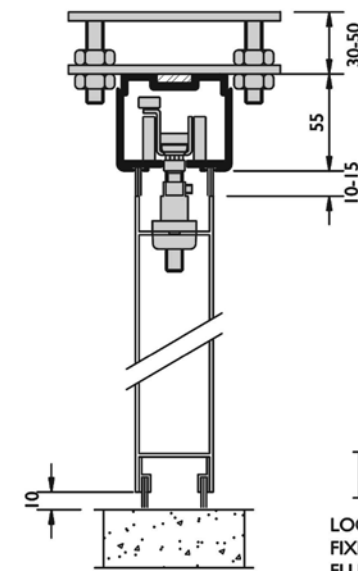
TRACK SOFFITE FIXED WITH
ALUMINIUM DOOR AND
BRUSH WELT DRAUGHT
SEALS



TRACK SOFFITE FIXED
WITH CLIP-ON REBATE
AND TIMBER DOOR
(FOR PARALLEL STACK ONLY)



TRACK WITH SUSPENSION FIXINGS AND
ALUMINIUM DOOR WITH TOP AND
BOTTOM RAIL WITH BRUSH WELT
DRAUGHT SEALS

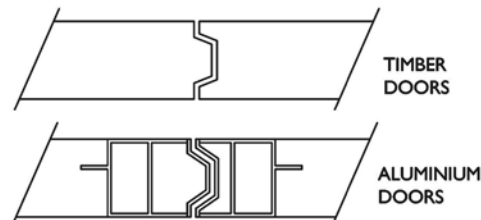


ADJUSTABLE
SUSPENSION
BRACKET

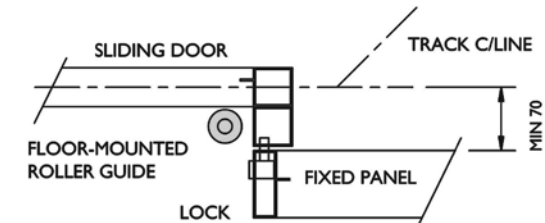
SECTION SCALE: 1:4



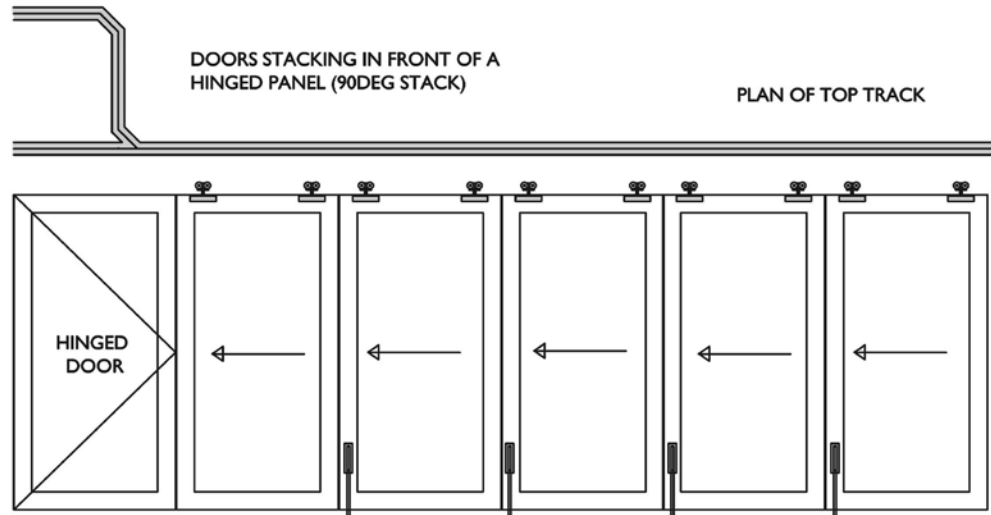
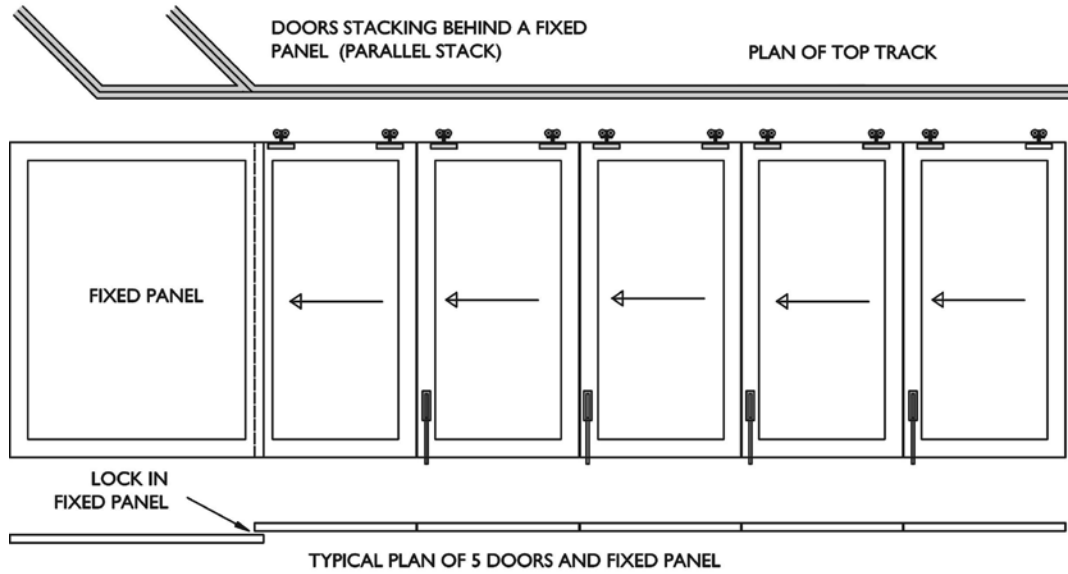
PLAN VIEW OF TYPICAL MEETING STILE
DETAIL



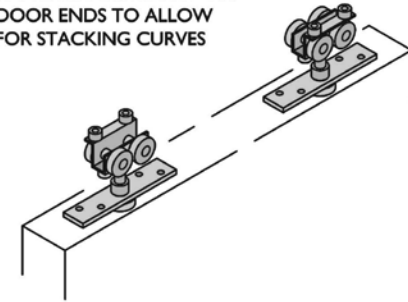
PLAN VIEW OF LOCKING DETAIL
SLIDING PANEL INTO FIXED PANEL



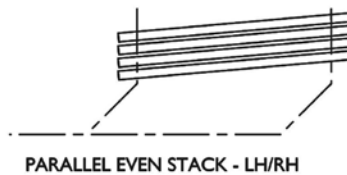
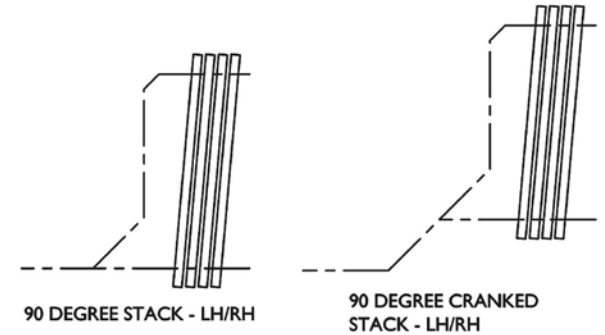
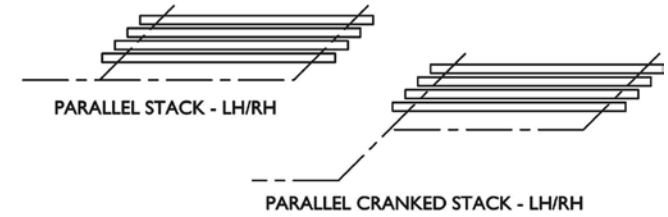
STACKAWAY 355



HANGERS POSITIONED ON DOOR ENDS TO ALLOW FOR STACKING CURVES



STACKING LAYOUTS



T	DOM	COM	S/FIT	W/R
---	-----	-----	-------	-----