

# PARTITIONFOLD 655

TOP HUNG SLIDING AND FOLDING  
HARDWARE FOR INTERIOR ALUMINIUM AND  
TIMBER DOORS

## FEATURES

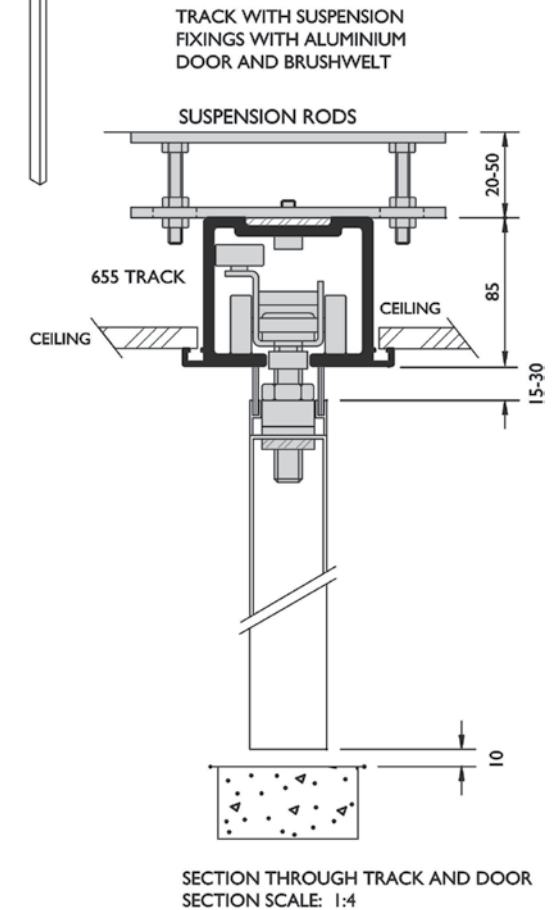
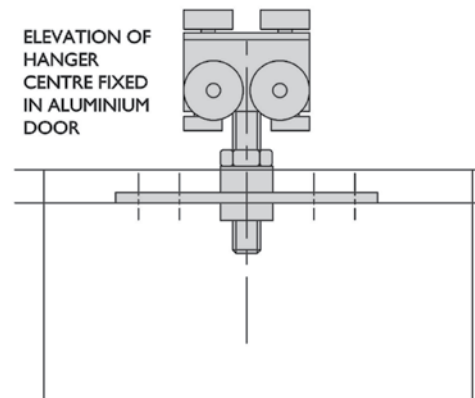
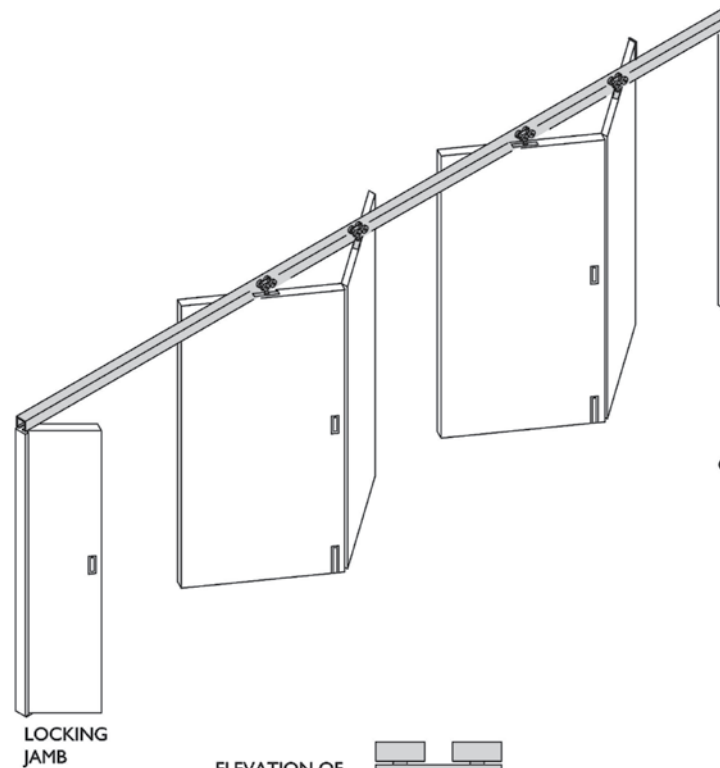
- STRONG ALUMINIUM TOP TRACK
- CENTRE HUNG LEAVES
- QUALITY PROVEN HARDWARE
- NO FLOOR CHANNEL REQUIRED

## SPECIFICATIONS

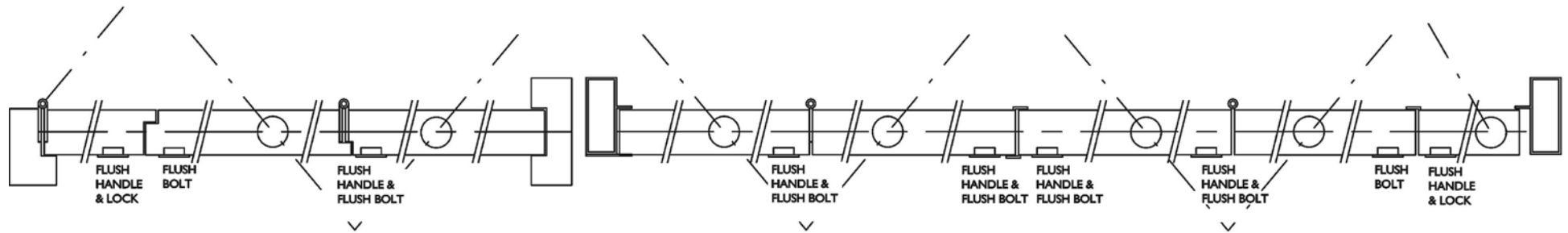
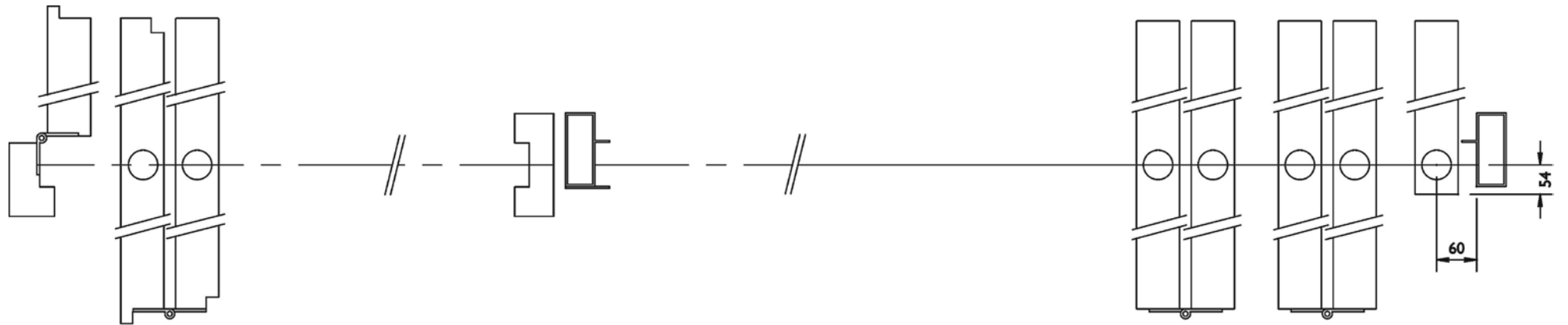
Max leaf mass: 120kg  
Max leaf height: 3000mm  
Max leaf width: 1200mm  
Leaf thickness: 44mm  
LEAVES HINGED TOGETHER IN PAIRS AND  
SLIDING EITHER WAY WITH HALF-WIDTH  
LOCKING LEAF

## COMPONENTS

655 aluminium top track  
655TPB hanger  
443B brass or 443A aluminium hinges  
504NA aluminium or 506B flush handle



PARTITIONFOLD 655



ONE PAIR OF REBATED TIMBER PANELS  
WITH HINGED LEAF HINGED TO FRAME

2 PAIRS OF ALUMINIUM PANELS  
WITH HINGED LEAF PIVOTED TO FRAME