

MULTIFOLD 100E

TOP HUNG, END FOLDING HARDWARE FOR INTERIOR TIMBER OR ALUMINIUM DOORS

FEATURES

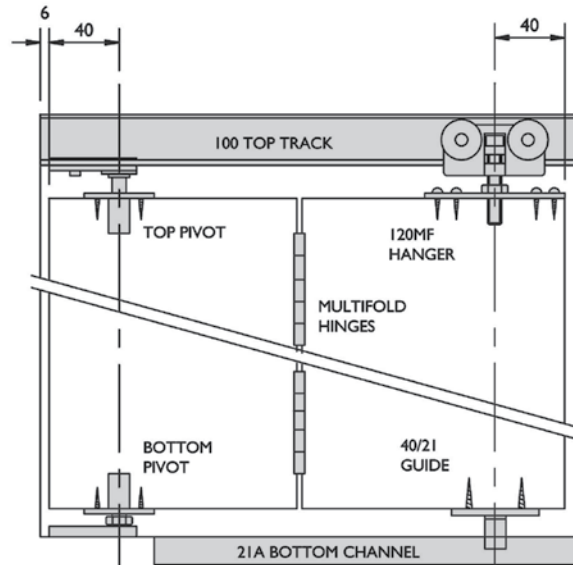
- GALVANISED OR STAINLESS STEEL BALL-BEARING HANGERS
- EQUAL WIDTH DOOR LEAVES
- FOR DOORS OR SERVING HATCHES

SPECIFICATIONS

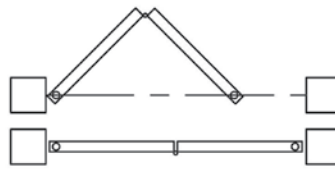
Max leaf mass: 30kg
 Max leaf height: 2400mm
 Max leaf width: 600mm
 Leaf thickness: 32-44mm
 Recommended: 2 or 4 leaves hinged together and to an end pivot. For 2 leaves, bottom guiding is optional. For 4 leaves, bottom guiding is recommended.
 NO SWING LEAVES
 NO FLOATING SUITES

COMPONENTS

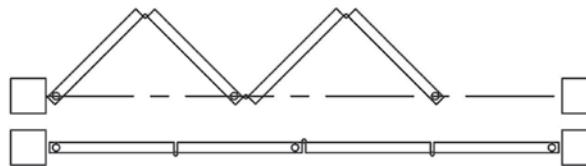
100S steel or 100A aluminium top track
 120MF hangers
 40/21 guides
 21A aluminium channel
 MF pivot set
 504NA flush handle
 442S or 442B butt hinge



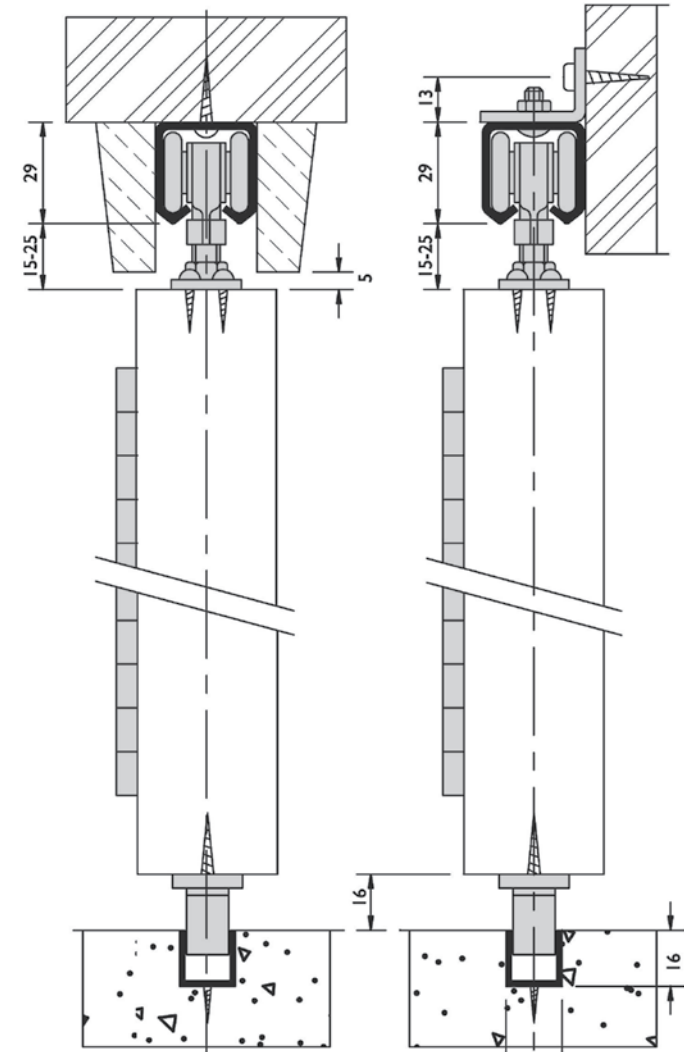
ELEVATION OF 2 LEAVES END FOLDING TO ONE SIDE



PLAN OF 2 DOORS - END HUNG



PLAN OF 4 DOORS - END HUNG



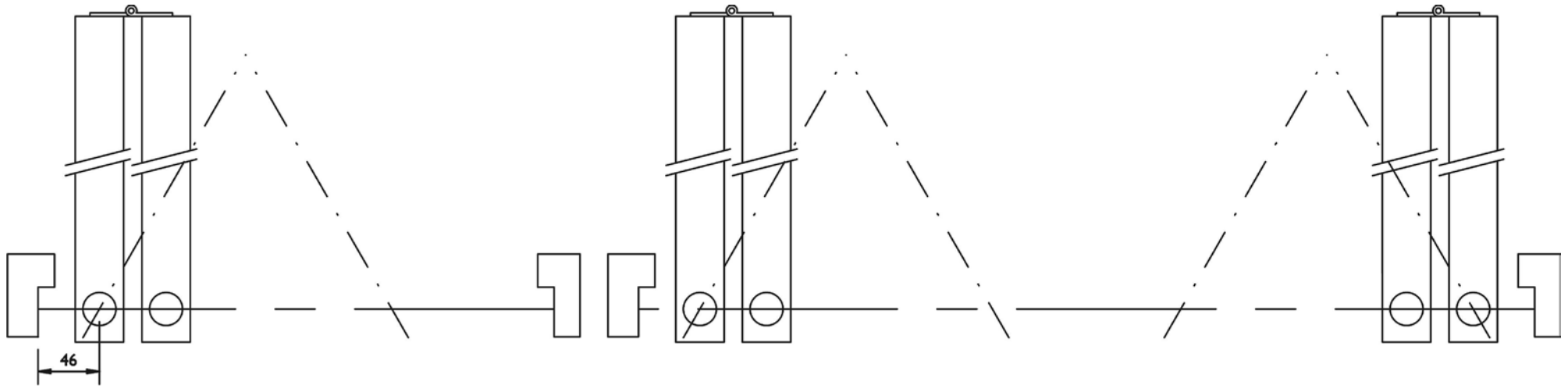
SECTION THROUGH DOORS SOFFITE FIXED TRACK

SECTION THROUGH DOORS TRACK SIDE FIXED

SECTION SCALE: 1:2

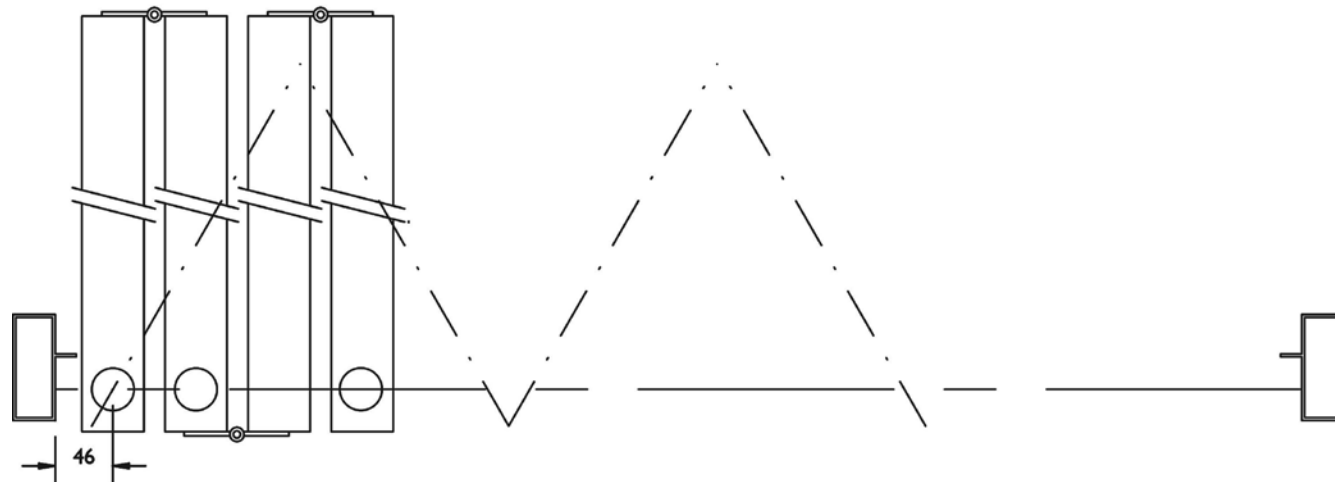
MULTIFOLD 100E

End folding



2 DOOR LEAVES PIVOTED TO FRAME AND FOLDING ONE WAY
(TIMBER REBATED FRAME)

2 DOOR LEAVES PIVOTED TO FRAMES AND BIPARTING
(TIMBER REBATED FRAME)



4 DOOR LEAVES PIVOTED TO FRAME AND FOLDING TO ONE SIDE
(ALUMINIUM REBATED FRAME)