

JASON

BOTTOM ROLLING SLIDING HARDWARE FOR
TIMBER CABINET AND LIGHT CUPBOARD
DOORS

FEATURES

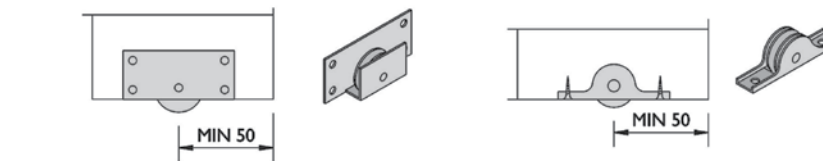
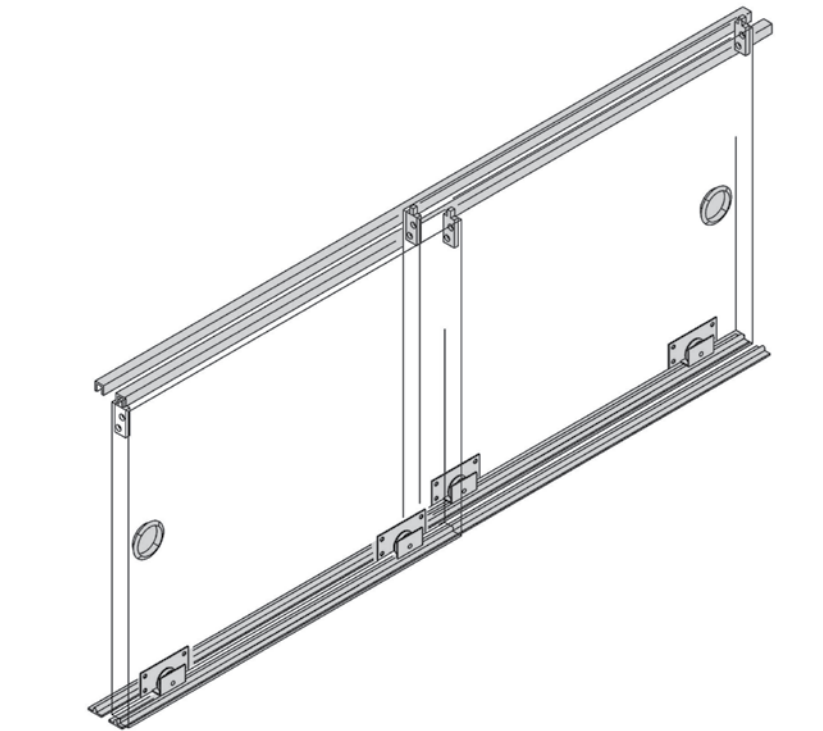
- SMOOTH-RUNNING
BALL-BEARING ROLLERS
- SIDE OR MORTICE FIXING ROLLER OPTIONS

SPECIFICATIONS

Max door mass: 20kg
Max door height: 1000mm
Max door width: 900mm
Door thickness: 16-22mm

STANDARD PACKED SETS
(WITH SIDE FIXING ROLLERS)
4J – for 2 doors in 1200mm opening
6J – for 2 doors in 1800mm opening

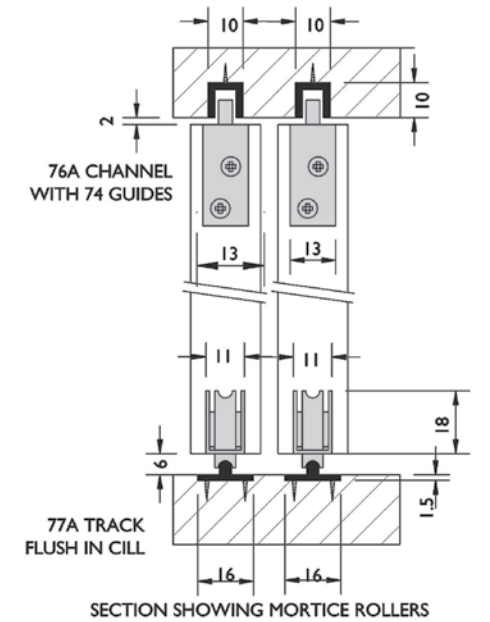
NOTE: BOTTOM TRACK OFFSET TO TOP
CHANNEL DEPENDING ON THICKNESS OF
DOOR



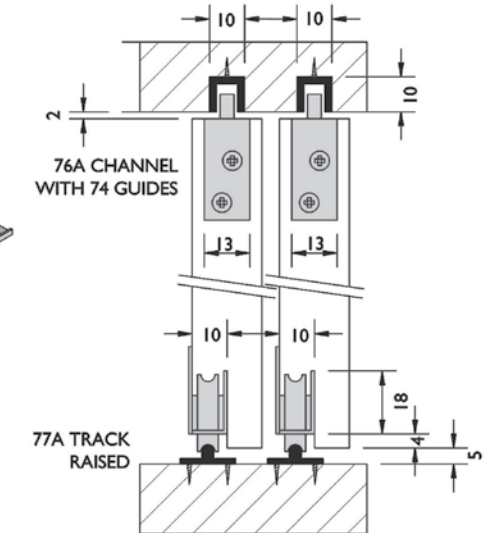
2 DOOR PLAN



3 DOOR PLAN



SECTION SHOWING MORTICE ROLLERS



SECTION SHOWING SIDE FIXED ROLLERS
SECTION SCALE: 1:2