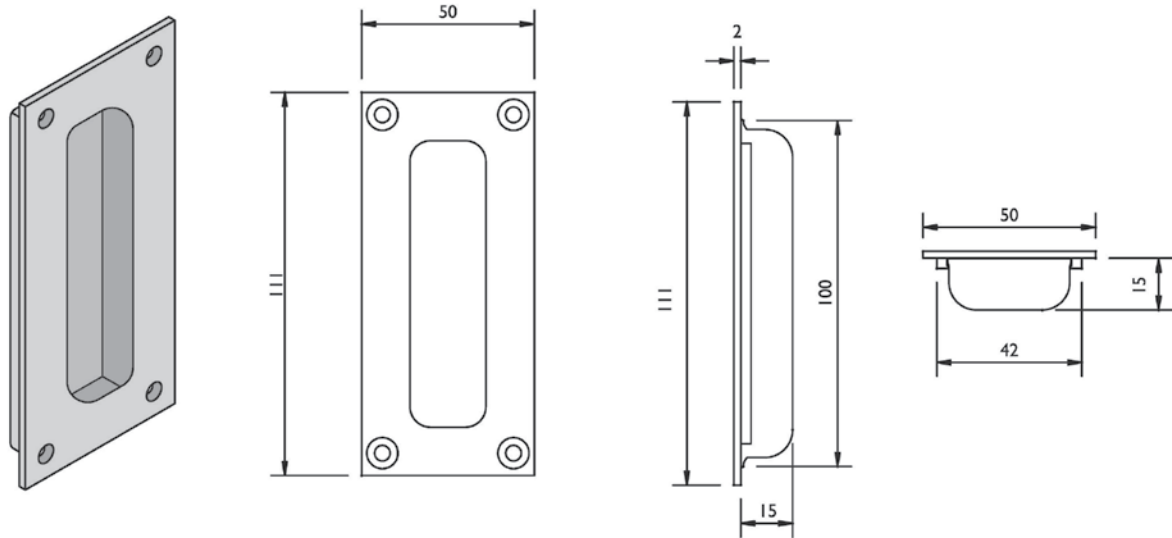


# HANDLES

503 FLUSH HANDLE – natural or bronze anodised aluminium  
503SL FLUSH HANDLE – natural or bronze anodised aluminium

## 503 FLUSH HANDLE - Aluminium (natural, bronze anodised)



## 503SL FLUSH HANDLE - Aluminium (natural, bronze anodised)

