

FOLDASIDE 655

TOP HUNG SLIDING AND FOLDING
HARDWARE FOR INTERIOR ALUMINIUM AND
TIMBER DOORS

FEATURES

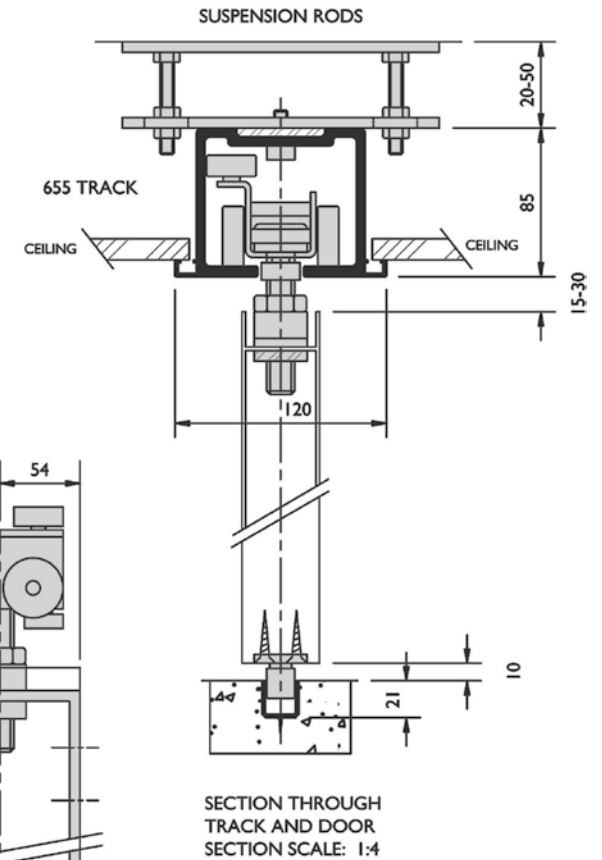
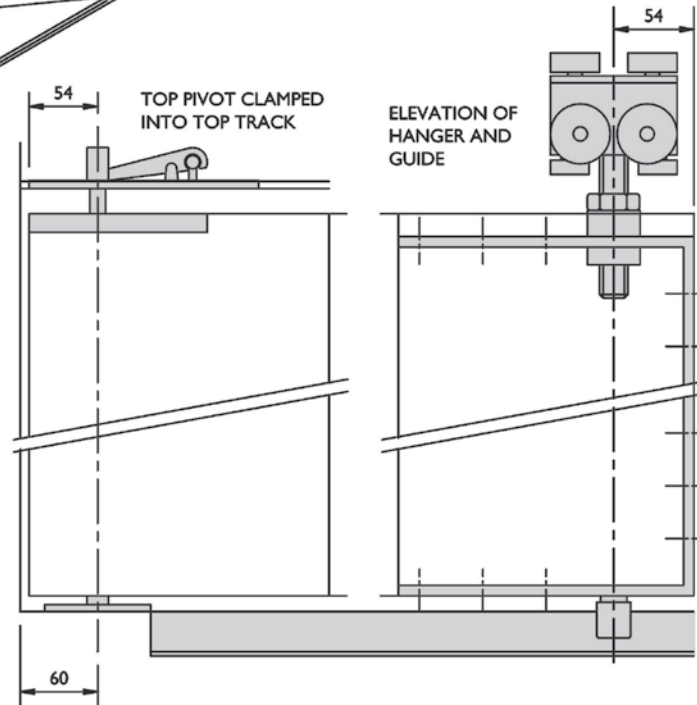
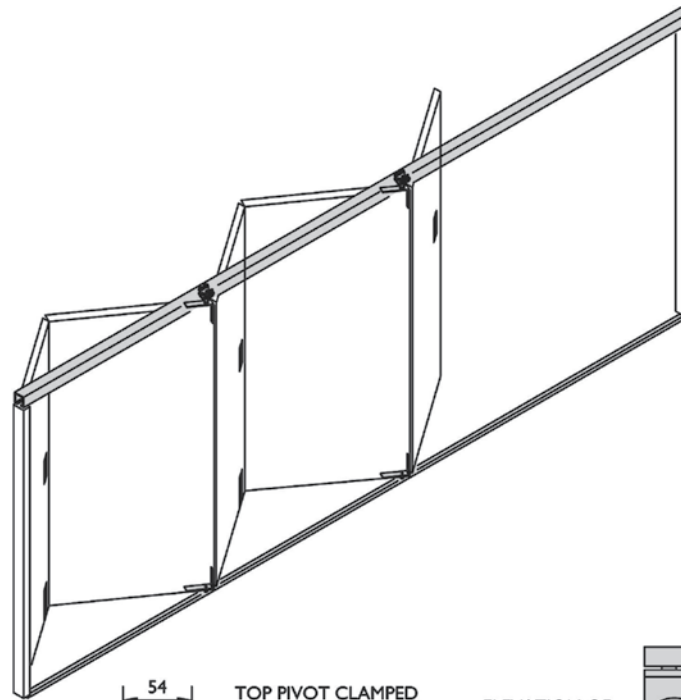
- STRONG ALUMINIUM TOP TRACK
- END HUNG LEAVES
- QUALITY PROVEN HARDWARE
- END PIVOT FOR EQUAL LEAVES

SPECIFICATIONS

Max leaf mass: 100kg
Max leaf height: 3500mm
Max leaf width: 900mm
Leaf thickness: Min 44mm
Recommended: 3 or max 5 leaves hinged
together and to the frame, folding either way.
For floating suites, see PARTITIONFOLD 655

COMPONENTS

655 aluminium top track
655/123 hanger
655/19 guide
19LA aluminium guide channel
443B brass or 443A aluminium hinges
504NA aluminium or 506B flush handle



FOLDASIDE 655

DOOR LEAF SIZING

For door leaves hinged to the frame, last leaf is narrower by Dimension A:
Dim A = 54 + half door thickness + hinge offset
(hinge offset = 6 or 8mm depending on the size of hinge used)

For door leaves using a pivot to the frame, all leaves are of equal width

