

DOUBLE 60

TOP HUNG SLIDING SYSTEM FOR
WARDROBE AND CUPBOARD DOORS

FEATURES

- SMOOTH-RUNNING BALL-BEARING HANGERS
- DOUBLE TRACK AND CRANKED HANGERS FOR DOOR SPACING

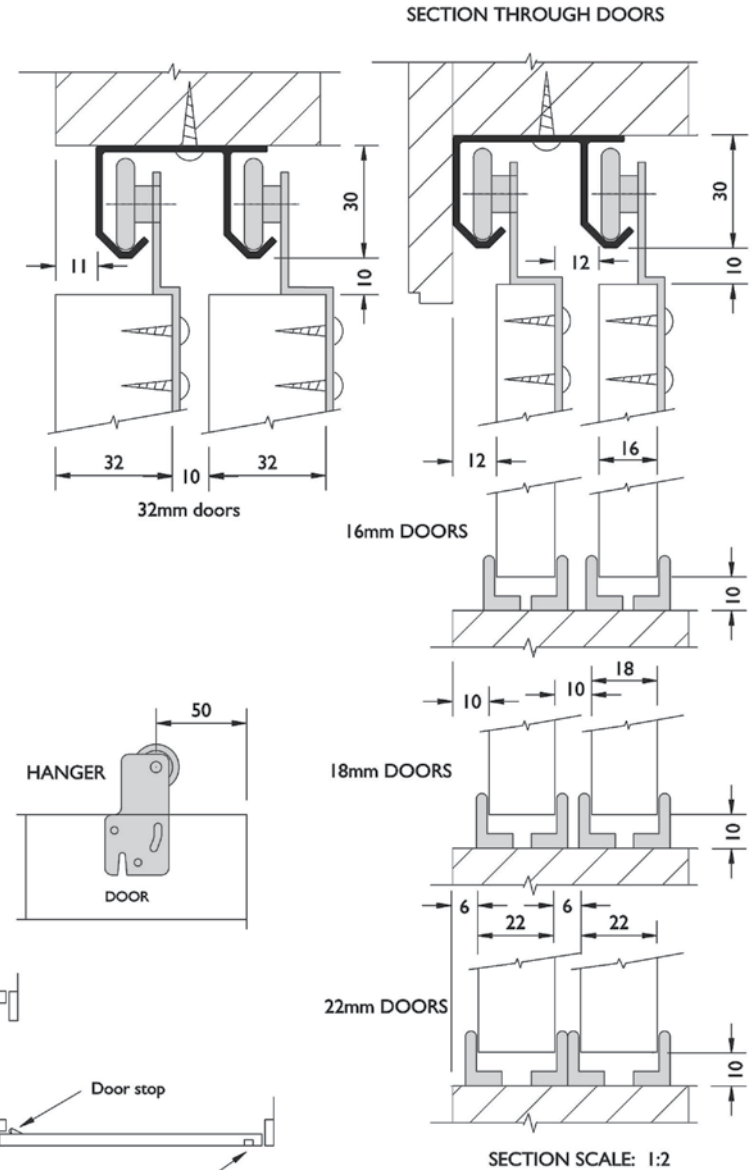
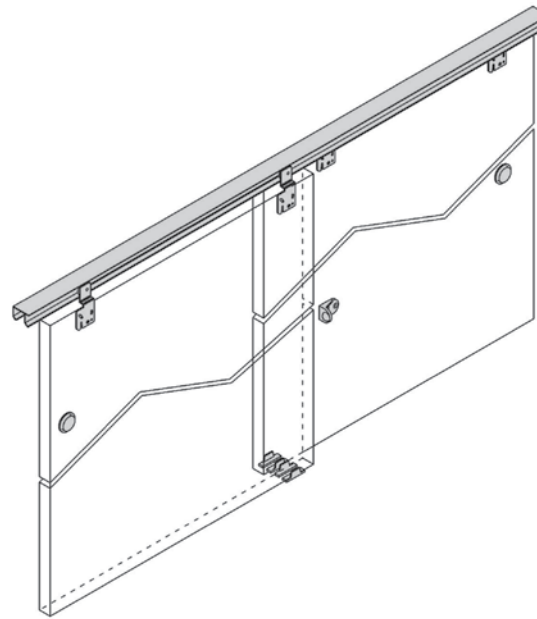
SPECIFICATIONS

Max door mass: 30kg
Max door height: 2100mm
Max door width: 900mm
Door thickness: 16-32mm

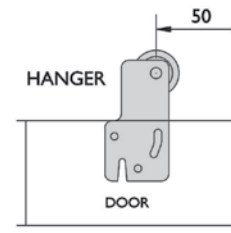
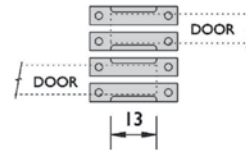
STANDARD PACKED SETS

4D – for 2 doors in 1200mm opening
5D – for 2 doors in 1500mm opening
6D – for 2 doors in 1800mm opening
8D – for 3 doors in 2400mm opening

NOTE:
DEEP FRONT HANGER AND SHALLOW REAR HANGER FOR DOORS UP TO 22mm THICK.
FOR 32mm DOORS, HANGERS ARE REVERSED



PLAN OF GUIDES AT DOOR OVERLAP (INSTALL WHEN DOORS ARE PLUMB AND LEVEL)



2 DOOR PLAN



3 DOOR PLAN