

CENTAFOLD 655

TOP HUNG SLIDING AND FOLDING
HARDWARE FOR INTERIOR ALUMINIUM AND
TIMBER DOORS

FEATURES

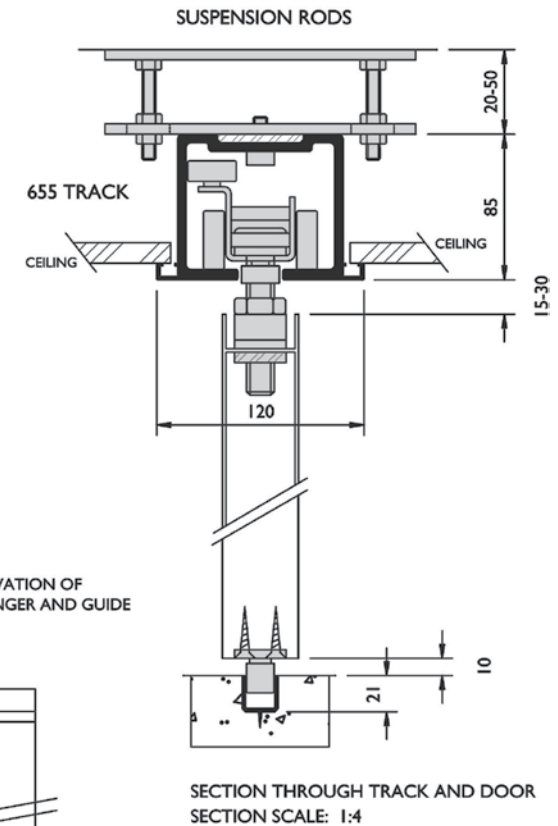
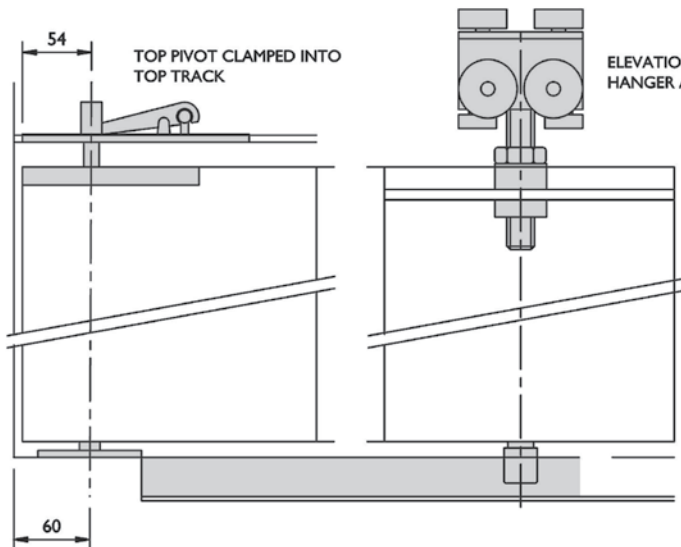
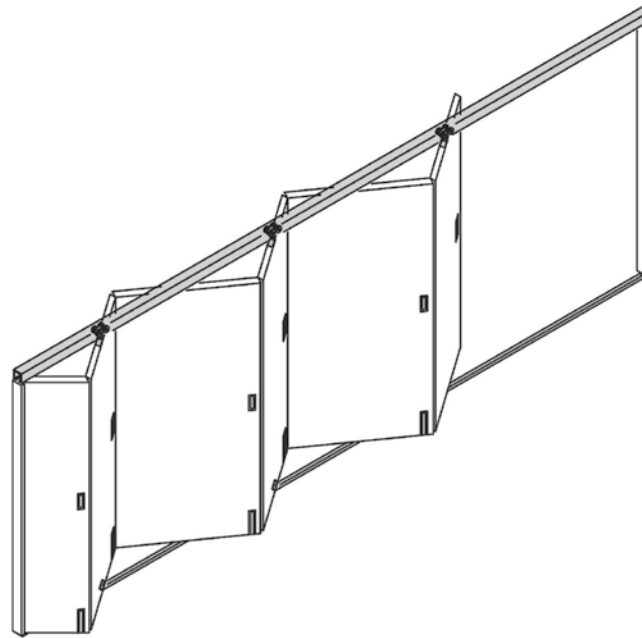
- STRONG ALUMINIUM TOP TRACK
- CENTRE HUNG LEAVES
- QUALITY PROVEN HARDWARE

SPECIFICATIONS

Max leaf mass: 100kg
Max leaf height: 3500mm
Max leaf width: 1500mm
Leaf thickness: 44mm
Recommended: hinged together and to the
frame, folding either way.
For floating suites, see PARTITIONFOLD 655

COMPONENTS

655 aluminium top track
655TPB hanger
40/19 guide
19LA aluminium guide channel
443B brass or 443A aluminium hinges
504NA aluminium or 506B flush handle

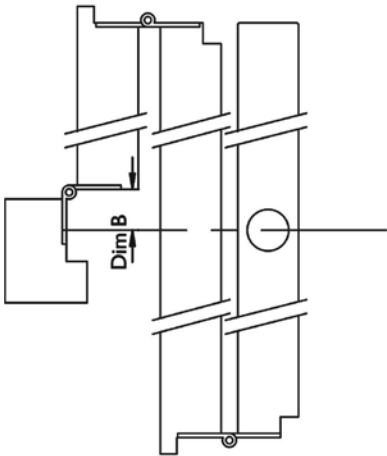
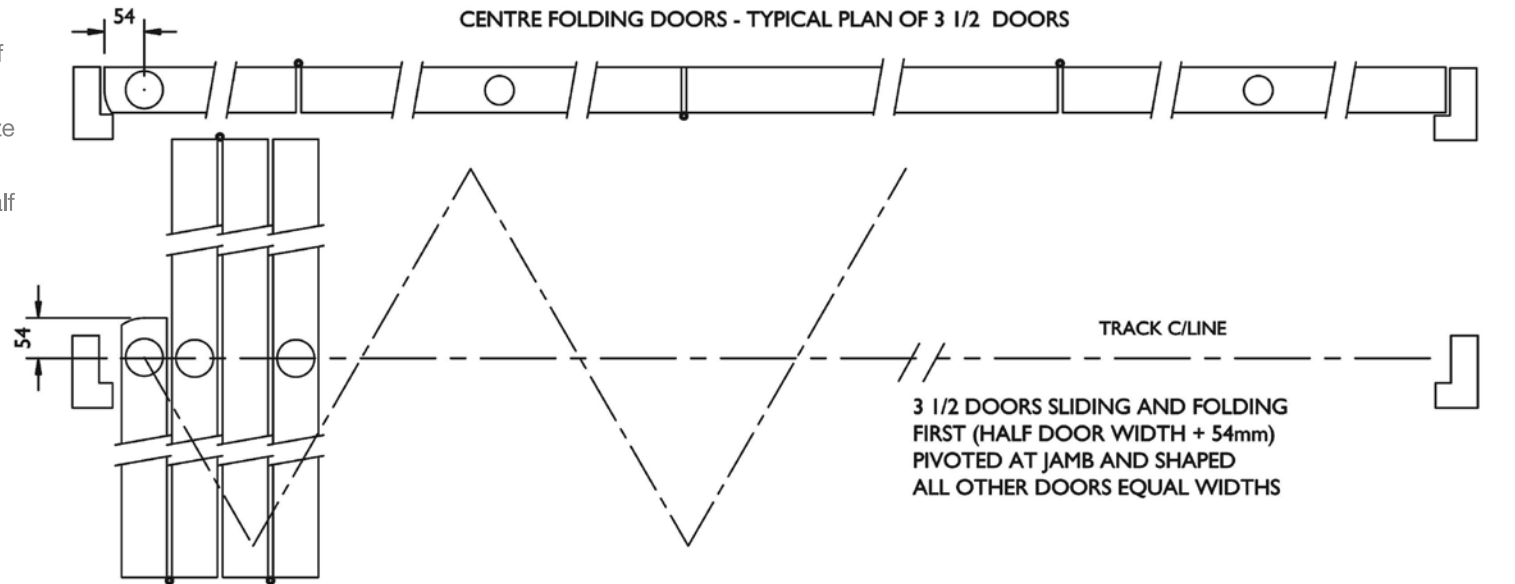


CENTAFOLD 655

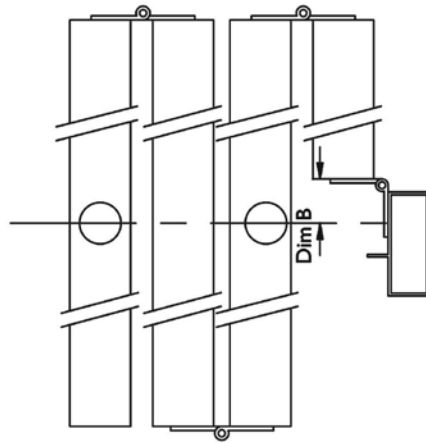
DOOR LEAF SIZING

For door leaves hinged to the frame, half leaf is narrower by Dimension B:
 Dim B = half door thickness + hinge offset
 (hinge offset = 6 or 8mm depending on the size of hinge used)

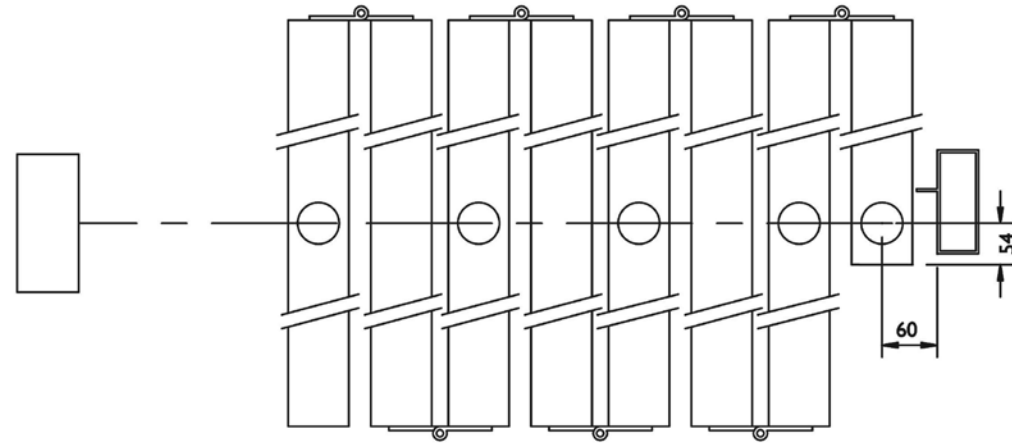
For door leaves using a pivot to the frame, half leaf is wider by 54mm



2 1/2 REBATED TIMBER DOORS HINGED TO FRAME



3 1/2 ALUMINIUM DOORS HINGED TO FRAME



7 1/2 ALUMINIUM DOORS PIVOT TO FRAME