

CAVITY DOOR

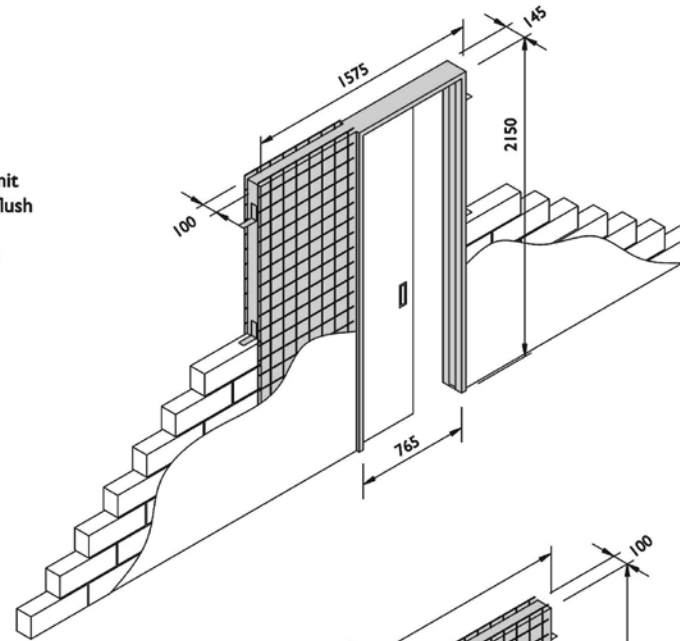
THE COMPLETE, BUILT-IN CAVITY DOOR SYSTEM FOR INTERIOR SLIDING DOORS – FOR SINGLE (HALF) BRICK OR DRY WALLS

Hillaldam CAVITY DOOR is a complete steel box unit which can be built into a half brick or block wall by a bricklayer and then plastered over. The door then effectively slides into the wall.

FEATURES

- SAVES INTERIOR SPACE
- SUITABLE FOR SINGLE (HALF) BRICK OR DRY WALLS
- STRONG, SEALED AND LINED CAVITY
- TAKES STANDARD SIZE DOORS ONLY (813 x 2032mm)
- TOUGH, RELIABLE TOP HUNG SLIDING SYSTEM

Single cavity door unit for 813 x 2032mm flush panel door.
Overall built-in size: 1575 x 2150mm.



Double cavity door unit for two 813 x 2032mm bi-parting flush panel doors.
Overall built-in size: 3090 x 2150mm.

